

HYDRAULIC ALUMINIUM HAND PUMPS



- ✓ WA series pumps are for use with Single Acting cylinders.
- ✓ Lightweight aluminium pumps, ideal for easy portability and handling.
- ✓ Two speed models to provide rapid cylinder advance until contact is made with the load.
- ✓ Hydraulic outlet port: 3/8"-NPT female.
- ✓ Fitted with safety valves to prevent overpressure.
- ✓ Fitted with handle clip for ease of carrying.

Model	Usable oil cm ³	Handle effort kg	Oil displacement per stroke (cm ³)		Pressure rating (bar)		Weight kg
			1 st Stage	2 nd Stage	1 st Stage	2 nd Stage	
LARZEP							
WA20507	400	29	13,4	2,6	20	700	3,7
WA21107	810	43	15,0	3,1	20	700	5,0

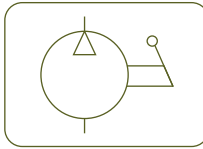


AZ3

Coupler 3/8"-18 NPT



P.86



AV - AVD - AY

Pressure Gauges



P.94

HYDRAULIC ALUM. HAND PUMPS



Type

WA

Capacity

0,4 - 0,8 litres

Max. pressure

700 bar

W

Single Acting Hand Pumps



P.66

X

Double Acting Hand Pumps



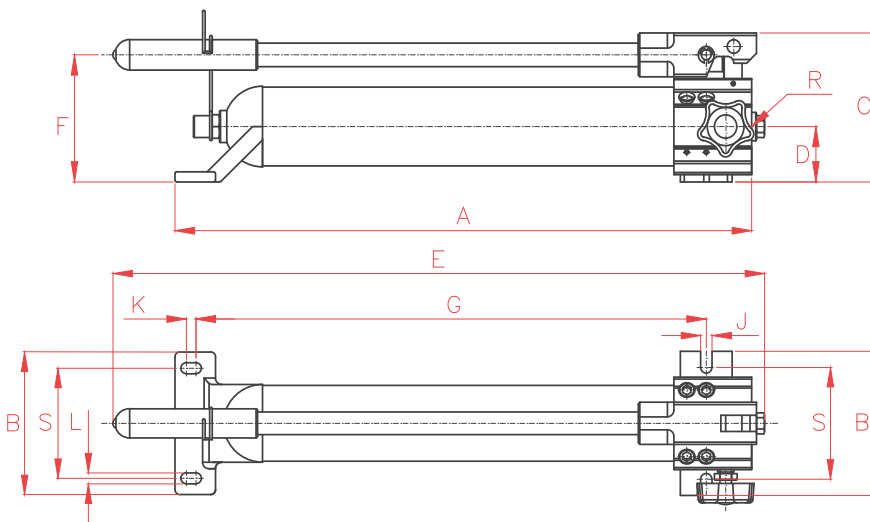
P.66

AP2

Hoses



P.84



A	B	C	D	E	F	G	H	J	K	L	R	Model
mm	mm	mm	mm	mm	mm	mm	mm	mm	mm	mm	NPT	LARZEP
361	140	141	51	435	124	295,0	108	11,2	10	11,2	3/8"-NPT	WA20507
556	140	141	51	625	124	489,5	108	11,2	10	11,2	3/8"-NPT	WA21107