

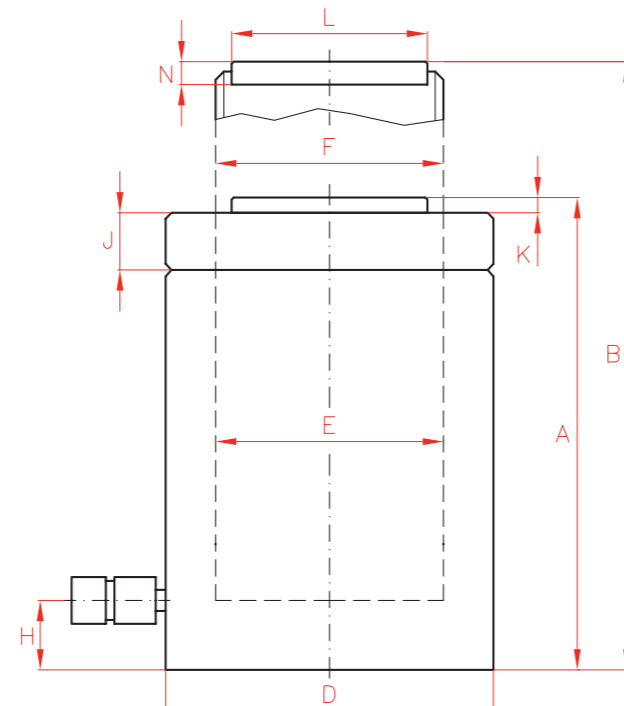
**SINGLE ACTING LOCK NUT CYLINDERS, LOAD RETURN**



- ✓ Capacity from 30 to 1.000 Tn, stroke up to 300 mm.
- ✓ The lock nut holds the load mechanically for extended periods of time.
- ✓ Load return as standard. Spring return available as special.
- ✓ Lock nut tested under 50% overload.
- ✓ Hydraulic end of stroke overflow port. Whitout stop ring. Red band warning.
- ✓ Mechanical end of stroke available as special.
- ✓ Body, nut and saddle black nitrided to improve corrosion and wear resistance.
- ✓ Used for foundation supporting, bridge construction and shipbuilding.
- ✓ For confined spaces, use STX models.



DTC models, double acting lock nut cylinders available upon request.



**S/A LOCK NUT CYLINDERS**



Type	<b>STC</b>
Capacity	<b>30 - 1.000 Tn</b>
Stroke	<b>50 - 300 mm</b>
Max. pressure	<b>700 bar</b>

Capacity Tn (kN)	Stroke mm	Model LARZEP	Oil Cap. cm <sup>3</sup>	A mm	B mm	D mm	E mm	F mm	H mm	J mm	K mm	L mm	N mm	Area cm <sup>2</sup>	Weight kg
30 (303)	50	STC03005	221	141	191	100	75	Tr 75x4	20	20	3	50	20	44,2	9
	100	STC03010	442	191	291	100	75	Tr 75x4	20	20	3	50	20	44,2	12
	150	STC03015	663	246	396	100	75	Tr 75x4	20	20	3	50	20	44,2	15
	200	STC03020	884	296	496	100	75	Tr 75x4	20	20	3	50	20	44,2	18
	250	STC03025	1.104	355	605	100	75	Tr 75x4	20	20	3	50	20	44,2	22
	300	STC03030	1.325	405	705	100	75	Tr 75x4	20	20	3	50	20	44,2	25
51 (496)	50	STC05005	354	153	203	125	95	Tr 95x4	25	21	3	50	20	70,9	14
	100	STC05010	709	203	303	125	95	Tr 95x4	25	21	3	50	20	70,9	19
	150	STC05015	1.063	261	411	125	95	Tr 95x4	25	21	3	50	20	70,9	25
	200	STC05020	1.418	311	511	125	95	Tr 95x4	25	21	3	50	20	70,9	30
	250	STC05025	1.772	366	616	125	95	Tr 95x4	25	21	3	50	20	70,9	35
	300	STC05030	2.126	416	716	125	95	Tr 95x4	25	21	3	50	20	70,9	40
95 (929)	50	STC10005	664	180	230	170	130	Tr 130x6	30	31	3	71,5	20	132,7	31
	100	STC10010	1.327	230	330	170	130	Tr 130x6	30	31	3	71,5	20	132,7	40
	150	STC10015	1.991	285	435	170	130	Tr 130x6	30	31	3	71,5	20	132,7	50
	200	STC10020	2.655	335	535	170	130	Tr 130x6	30	31	3	71,5	20	132,7	59
	250	STC10025	3.318	391	641	170	130	Tr 130x6	30	31	3	71,5	20	132,7	69
	300	STC10030	3.982	441	741	170	130	Tr 130x6	30	31	3	71,5	20	132,7	78
144 (1.407)	50	STC14005	1.005	195	245	210	160	Tr 160x6	40	38	3	94	20	201,1	52
	100	STC14010	2.011	245	345	210	160	Tr 160x6	40	38	3	94	20	201,1	65
	150	STC14015	3.016	309	459	210	160	Tr 160x6	40	38	3	94	20	201,1	83
	200	STC14020	4.021	359	559	210	160	Tr 160x6	40	38	3	94	20	201,1	96
	250	STC14025	5.027	415	665	210	160	Tr 160x6	40	38	3	94	20	201,1	111
	300	STC14030	6.032	465	765	210	160	Tr 160x6	40	38	3	94	20	201,1	125
224 (2.192)	150	STC22015	4.712	328	478	260	200	Tr 200x6	50	40	3	113	25	314,2	134
	300	STC22030	9.425	488	788	260	200	Tr 200x6	50	40	3	113	25	314,2	201
310 (3.037)	150	STC30015	6.506	351	501	305	235	Tr 235x6	55	45	5	140	30	433,7	197
	300	STC30030	13.012	511	811	305	235	Tr 235x6	55	45	5	140	30	433,7	289
409 (4.008)	150	STC40015	8.588	370	520	350	270	Tr 270x6	65	50	5	159	30	572,6	274
	300	STC40030	17.177	530	830	350	270	Tr 270x6	65	50	5	159	30	572,6	395
522 (5.114)	150	STC50015	10.959	395	545	400	305	Tr 305x6	75	60	5	179	30	730,6	378
	300	STC50030	21.918	555	855	400	305	Tr 305x6	75	60	5	179	30	730,6	535
611 (5.987)	50	STC60005	4.276	311	361	430	330	Tr 330x6	80	80	5	194	30	855,3	347
	150	STC60015	12.829	421	571	430	330	Tr 330x6	80	80	5	194	30	855,3	472
	300	STC60030	25.659	581	881	430	330	Tr 330x6	80	80	5	194	30	855,3	654
831 (8.149)	50	STC80005	5.821	348	398	505	385	Tr 385x6	95	90	5	224	30	1.164,2	537
	150	STC80015	17.462	458	608	505	385	Tr 385x6	95	90	5	224	30	1.164,2	709
	300	STC80030	34.925	618	918	505	385	Tr 385x6	95	90	5	224	30	1.164,2	959
1.085 (10.644)	50	STC100005	7.603	392	442	570	440	Tr 440x6	105	105	5	249	30	1.520,5	772
	150	STC100015	22.808	502	652	570	440	Tr 440x6	105	105	5	249	30	1.520,5	991
	300	STC100030	45.616	673	973	570	440	Tr 440x6	105	105	5	249	30	1.520,5	1.332