

ATTACHMENTS FOR SM AND D MODELS

Base Plate



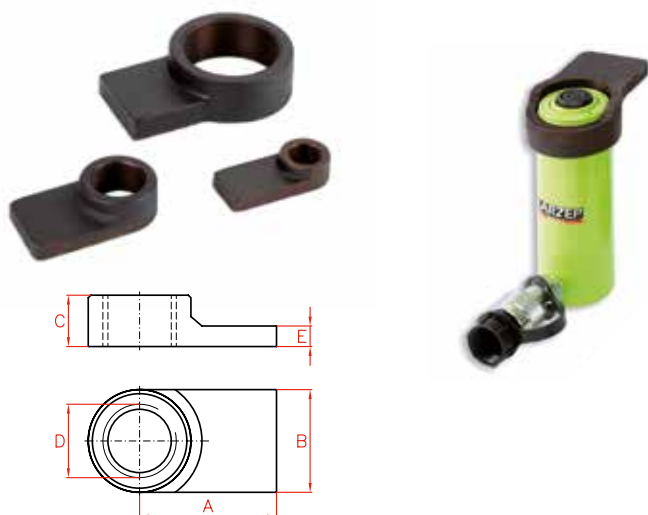
| Capacity (ton) | | Model | A | B | C | D | Weight |
|----------------|----|--------|-----|----|----|------|--------|
| SM | D | LARZEP | mm | mm | mm | mm | kg |
| 5 | - | SM005P | 150 | 15 | 25 | 7,0 | 2,2 |
| 10 | 10 | SM010P | 180 | 15 | 39 | 8,5 | 2,7 |
| 15 | - | SM015P | 180 | 15 | 47 | 10,0 | 2,7 |
| 23 | 20 | SM023P | 215 | 17 | 58 | 13,5 | 4,9 |
| 30 | 30 | SM030P | 215 | 17 | 66 | 13,5 | 4,9 |

Mounting Block



| Capacity (ton) | | Model | A | B | C | D |
|----------------|----|--------|-----|-----|----|-------------|
| SM | D | LARZEP | mm | mm | mm | UN |
| 5 | - | SM005B | 76 | 90 | 25 | 1 1/2"- 16 |
| 10 | 10 | SM010B | 90 | 114 | 30 | 2 1/4"- 14 |
| 15 | - | SM015B | 100 | 114 | 30 | 2 3/4"- 16 |
| 23 | - | SM023B | 127 | 127 | 45 | 3 5/16"- 12 |
| 30 | 30 | SM030B | 135 | 135 | 45 | 3 7/8"- 12 |

Collar Toe



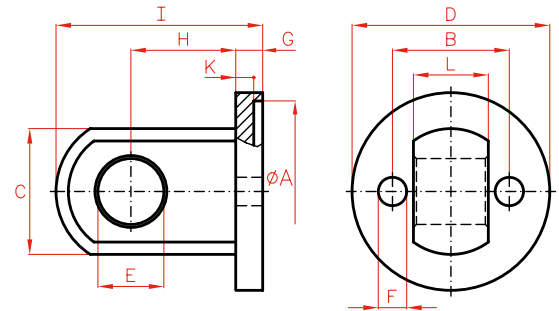
WARNING

When using this accessory do not exceed 350 bar.

| Capacity (ton) | | Model | A | B | C | D | E |
|----------------|----|--------|-----|----|----|-------------|----|
| SM | D | LARZEP | mm | mm | mm | UN | mm |
| 5 | - | SM005U | 54 | 31 | 25 | 1 1/2"- 16 | 11 |
| 10 | 10 | SM010U | 79 | 60 | 37 | 2 1/4"- 14 | 12 |
| 23 | - | SM023U | 105 | 80 | 40 | 3 5/16"- 12 | 20 |

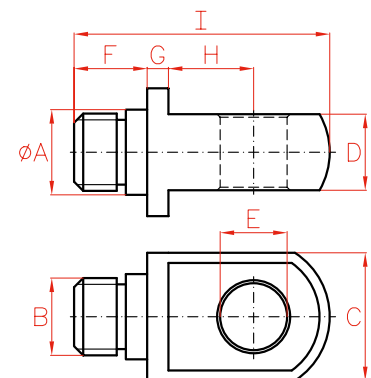


Clevis Eye Body



| Capacity (ton) | | Model | A | B | C | D | E | F | G | H | I | K | L |
|----------------|----|---------|----|----|----|----|----|----|----|----|----|----|----|
| SM | D | LARZEP | mm | mm | mm | mm | mm | mm | mm | mm | mm | mm | mm |
| 5 | - | SM005RB | 41 | 25 | 28 | 46 | 16 | 8 | 9 | 25 | 50 | 6 | 14 |
| 10 | 10 | SM010RB | 61 | 39 | 42 | 66 | 22 | 10 | 9 | 35 | 69 | 6 | 25 |
| 15 | - | SM015RB | 76 | 47 | 42 | 82 | 22 | 11 | 9 | 35 | 69 | 6 | 25 |
| 23 | 20 | SM023RB | 86 | 58 | 57 | 95 | 31 | 14 | 12 | 41 | 84 | 7 | 38 |

Clevis Eye Piston



| Capacity (ton) | | Model | A | B | C | D | E | F | G | H | I |
|----------------|-------|------------|----|-----------|----|----|----|----|----|----|-----|
| SM | D | LARZEP | mm | UN | mm | mm | mm | mm | mm | mm | mm |
| 5 | - | SM005RP | 25 | 3/4"-16 | 28 | 14 | 16 | 15 | 5 | 19 | 55 |
| 10 | 10-20 | SM010-15RP | 28 | 1"-8 | 42 | 25 | 22 | 24 | 7 | 28 | 84 |
| 23 | 30 | SM023RP | 45 | 1 1/2"-16 | 57 | 38 | 31 | 27 | 8 | 35 | 101 |