

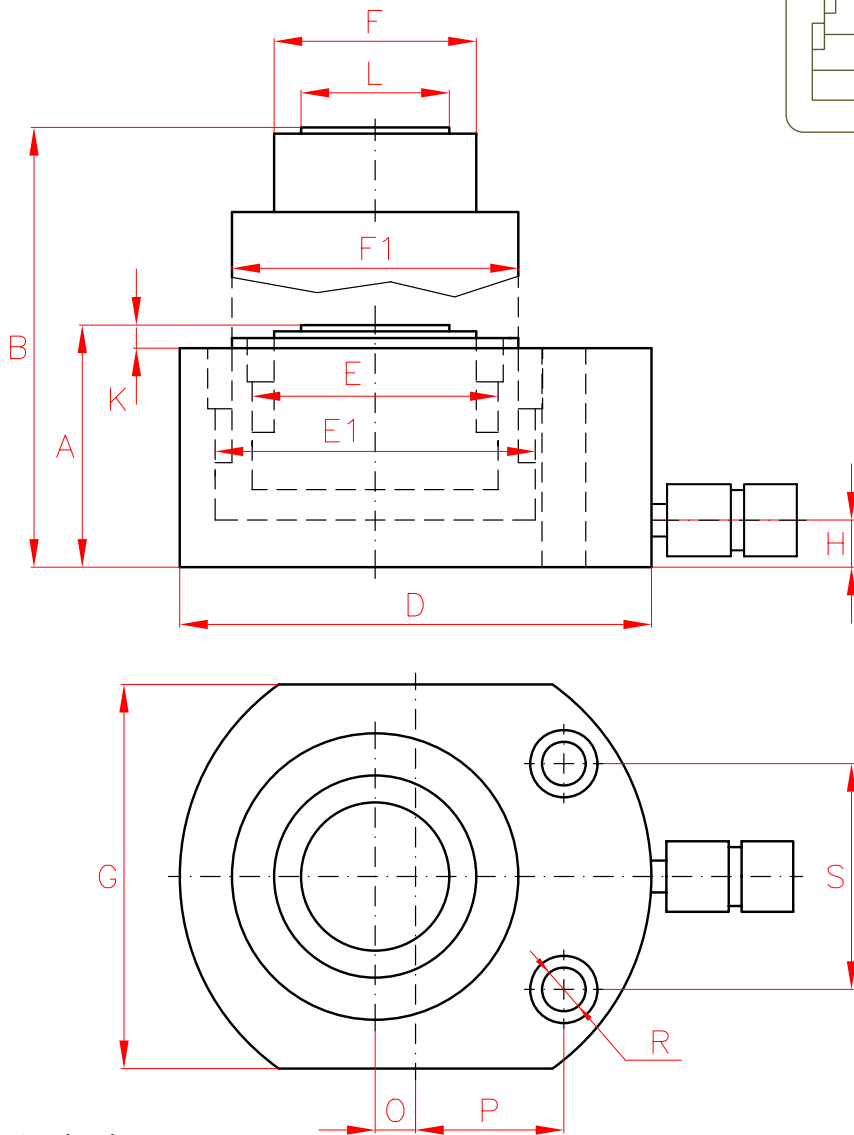
SINGLE ACTING, LOW HEIGHT TELESCOPIC CYLINDERS



- ✓ Capacity from 4 to 75 Tn, stroke up to 40 mm.
- ✓ Models with two and three stages.
- ✓ Load return.
- ✓ For use in confined spaces: machinery positioning, tool fastening.
- ✓ Mounting bolt holes for easy fixing.
- ✓ All models are black nitrided to improve corrosion and side load resistance.

Capacity	Stroke	Model	1 st Stage			2 nd Stage			3 rd Stage			Oil Cap.
			Capacity	Stroke	Area	Capacity	Stroke	Area	Capacity	Stroke	Area	
Tn	mm	LARZEP	kN	mm	cm ²	kN	mm	cm ²	kN	mm	cm ²	cm ³
4	17	SLX00417	111	11	15,9	43	6	6,2	-	-	-	21,2
	23	SLX00423	232	11	33,2	111	7	15,9	43	5	6,2	50,7
11	18	SLX01118	232	11	33,2	111	7	15,9	-	-	-	47,6
	40	SLX01140	727	16	103,9	309	13	44,2	111	11	15,9	241,2
23	27	SLX02327	496	16	70,9	232	11	33,2	-	-	-	150,0
	32	SLX02332	929	16	132,7	496	10	70,9	232	6	33,2	303,1
30	29	SLX03129	727	16	103,9	309	13	44,2	-	-	-	223,7
50	26	SLX05026	957	16	136,8	496	10	70,9	-	-	-	238,2
75	26	SLX075026	1.407	16	201,1	727	10	103,9	-	-	-	425,7





SLX load return

S/A L/H TELESCOPIC CYLINDERS



Type	SLX
Capacity	4 - 75 Tn
Stroke	17 - 40 mm
Max. pressure	700 bar

SIX CYLINDERS

W Single Acting Hand Pumps



P.80

SX - SMX Single Acting Low Profile Cylinders, Load or Spring Return



P.28

	A	B	D	E	E1	F	F1	G	H	K	L	O	P	R	S	Weight	Model
	mm	mm	mm	mm	mm	mm	mm	mm	mm	mm	mm	mm	mm	mm	mm	kg	LARZEP
	45	62	83	28	45	25	38	56	20	0,5	20,4	12,5	21	6,5	37	1,8	SLX00417
	54	77	102	28	65	25	57	80	20	0,5	20,4	10,0	29	9,0	50	3,1	SLX00423
	55	73	102	45	65	38	57	80	20	1,0	30	10,0	29	9,0	50	3,0	SLX01118
	89	129	165	45	115	38	95	140	25	1,0	36	12,0	54	13,0	76	13,1	SLX01140
	75	102	140	65	95	57	78	114	20	1,0	42	12,0	44	13,0	67	7,6	SLX02327
	96	128	178	65	132	57	115	162	29	1,0	50	-	70	6,5	76	17,3	SLX02332
	89	118	165	75	115	60	95	140	25	1,0	44	12,0	54	13,0	76	13,0	SLX03129
	96	122	178	95	132	78	115	162	29	2,0	66	-	70	6,5	76	17,3	SLX05026
	114	140	216	115	160	95	137	196	35	2,0	83	-	78	9,0	117	30,4	SLX07526