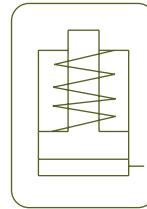


ALUMINIUM SINGLE ACTING CYLINDERS, SPRING RETURN

- ✓ Lightweight, general purpose cylinders from 30 to 140 ton, stroke up to 300 mm.
- ✓ Made from high strength aluminium alloy.
- ✓ Solid piston, spring return.
- ✓ All aluminium parts are treated to improve resistance and extend working life.
- ✓ 40% weight reduction when compared with steel equivalent.
- ✓ Fitted with steel base plate and saddle for wear resistance.
- ✓ Not suitable for high-cycle applications.



The body, stop ring and piston of the cylinder are hard anodized to strengthen the working area and extend its working life.

The lighter weight of aluminium makes them especially suitable for use in sites of difficult access.

It is highly recommended to place the cylinder on a flat area to avoid any damage to the base.

S/A ALUMINIUM CYLINDERS



| | |
|---------------|--------------|
| Type | SAM |
| Capacity | 30 - 140 ton |
| Stroke | 50 - 300 mm |
| Max. pressure | 700 bar |

SAM CYLINDERS

SAH
Lightweight Aluminium
Hollow Piston Cylinders



P.18

DDA
Double Acting Aluminium Cylinders



P.48

WA
Aluminium Hand Pumps



P.68



HBM / HBE
Powerpacks



P.72

Z12107
Air Hydraulic Pumps

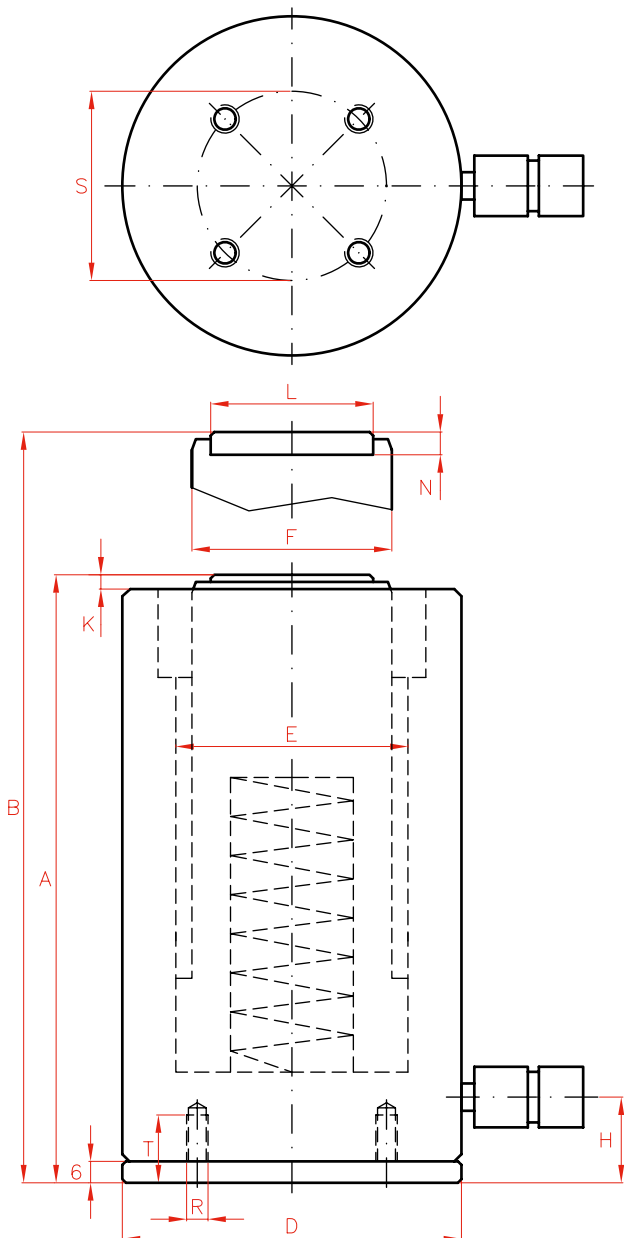


P.70

W
Single Acting Hand Pumps



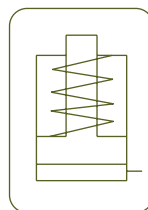
P.66



| Capacity | | Stroke | Model | Oil Cap. | A |
|----------|-------|--------|----------|-----------------|-----|
| ton | kN | mm | LARZEP | cm ³ | mm |
| 30 | 303 | 50 | SAM03005 | 221 | 172 |
| | | 100 | SAM03010 | 442 | 222 |
| | | 150 | SAM03015 | 663 | 272 |
| | | 200 | SAM03020 | 883 | 322 |
| | | 250 | SAM03025 | 1.104 | 372 |
| | | 300 | SAM03030 | 1.325 | 422 |
| 50 | 487 | 50 | SAM05005 | 354 | 180 |
| | | 100 | SAM05010 | 709 | 230 |
| | | 150 | SAM05015 | 1.063 | 280 |
| | | 200 | SAM05020 | 1.417 | 330 |
| | | 250 | SAM05025 | 1.772 | 380 |
| | | 300 | SAM05030 | 2.126 | 430 |
| 100 | 911 | 50 | SAM10005 | 663 | 210 |
| | | 100 | SAM10010 | 1.326 | 260 |
| | | 150 | SAM10015 | 1.989 | 310 |
| | | 200 | SAM10020 | 2.652 | 360 |
| | | 250 | SAM10025 | 3.315 | 410 |
| | | 300 | SAM10030 | 3.982 | 460 |
| 140 | 1.380 | 50 | SAM14005 | 1.005 | 225 |
| | | 100 | SAM14010 | 2.010 | 275 |
| | | 150 | SAM14015 | 3.016 | 325 |
| | | 200 | SAM14020 | 4.021 | 375 |
| | | 250 | SAM14025 | 5.026 | 425 |



S/A ALUMINIUM CYLINDERS



Type **SAM**

Capacity **30 - 140 ton**

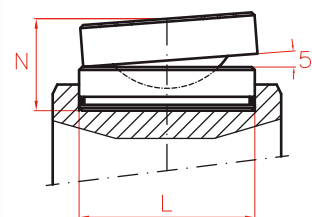
Stroke **50 - 300 mm**

Max. pressure **700 bar**

SAM CYLINDERS

OPTIONAL TILTING SADDLES

| Model | L | N | Weight |
|---------------|----|----|--------|
| LARZEP | mm | mm | kg |
| AZ0401 | 45 | 36 | 0,4 |
| AZ0402 | 61 | 39 | 0,8 |
| AZ0404 | 88 | 47 | 2,2 |



P.90

| | B | D | E | F | H | K | L | N | R | S | T | Area | Weight | Model | With tilting saddle | |
|--|-----|-----|-----|-----|----|----|----|----|----|-----|----|-----------------|--------|-----------------|---------------------|--------|
| | mm | mm | mm | mm | mm | mm | mm | mm | | mm | mm | cm ² | kg | LARZEP | A | Model |
| | 222 | 105 | 75 | 60 | 24 | 6 | 45 | 11 | M6 | 85 | 19 | 44 | 4,8 | SAM03005 | 197 | AZ0401 |
| | 322 | 105 | 75 | 60 | 24 | 6 | 45 | 11 | M6 | 85 | 19 | 44 | 5,4 | SAM03010 | 247 | AZ0401 |
| | 422 | 105 | 75 | 60 | 24 | 6 | 45 | 11 | M6 | 85 | 19 | 44 | 6,4 | SAM03015 | 297 | AZ0401 |
| | 522 | 105 | 75 | 60 | 24 | 6 | 45 | 11 | M6 | 85 | 19 | 44 | 7,4 | SAM03020 | 347 | AZ0401 |
| | 622 | 105 | 75 | 60 | 24 | 6 | 45 | 11 | M6 | 85 | 19 | 44 | 8,4 | SAM03025 | 397 | AZ0401 |
| | 722 | 105 | 75 | 60 | 24 | 6 | 45 | 11 | M6 | 85 | 19 | 44 | 9,3 | SAM03030 | 447 | AZ0401 |
| | 230 | 135 | 95 | 80 | 26 | 7 | 61 | 12 | M6 | 115 | 19 | 71 | 8,0 | SAM05005 | 207 | AZ0402 |
| | 330 | 135 | 95 | 80 | 26 | 7 | 61 | 12 | M6 | 115 | 19 | 71 | 9,5 | SAM05010 | 257 | AZ0402 |
| | 430 | 135 | 95 | 80 | 26 | 7 | 61 | 12 | M6 | 115 | 19 | 71 | 11,0 | SAM05015 | 307 | AZ0402 |
| | 530 | 135 | 95 | 80 | 26 | 7 | 61 | 12 | M6 | 115 | 19 | 71 | 11,5 | SAM05020 | 357 | AZ0402 |
| | 630 | 135 | 95 | 80 | 26 | 7 | 61 | 12 | M6 | 115 | 19 | 71 | 13,0 | SAM05025 | 407 | AZ0402 |
| | 730 | 135 | 95 | 80 | 26 | 7 | 61 | 12 | M6 | 115 | 19 | 71 | 14,5 | SAM05030 | 457 | AZ0402 |
| | 260 | 180 | 130 | 110 | 32 | 5 | 88 | 14 | M6 | 160 | 19 | 133 | 16,0 | SAM10005 | 243 | AZ0404 |
| | 360 | 180 | 130 | 110 | 32 | 5 | 88 | 14 | M6 | 160 | 19 | 133 | 19,0 | SAM10010 | 293 | AZ0404 |
| | 460 | 180 | 130 | 110 | 32 | 5 | 88 | 14 | M6 | 160 | 19 | 133 | 22,0 | SAM10015 | 343 | AZ0404 |
| | 560 | 180 | 130 | 110 | 32 | 5 | 88 | 14 | M6 | 160 | 19 | 133 | 25,0 | SAM10020 | 393 | AZ0404 |
| | 660 | 180 | 130 | 110 | 32 | 5 | 88 | 14 | M6 | 160 | 19 | 133 | 28,0 | SAM10025 | 443 | AZ0404 |
| | 760 | 180 | 130 | 110 | 32 | 5 | 88 | 14 | M6 | 160 | 19 | 133 | 31,0 | SAM10030 | 493 | AZ0404 |
| | 275 | 225 | 160 | 140 | 43 | 6 | 88 | 14 | M6 | 200 | 19 | 201 | 24,0 | SAM14005 | 258 | AZ0404 |
| | 375 | 225 | 160 | 140 | 43 | 6 | 88 | 14 | M6 | 200 | 19 | 201 | 29,0 | SAM14010 | 308 | AZ0404 |
| | 475 | 225 | 160 | 140 | 43 | 6 | 88 | 14 | M6 | 200 | 19 | 201 | 34,0 | SAM14015 | 358 | AZ0404 |
| | 575 | 225 | 160 | 140 | 43 | 6 | 88 | 14 | M6 | 200 | 19 | 201 | 39,0 | SAM14020 | 408 | AZ0404 |
| | 675 | 225 | 160 | 140 | 43 | 6 | 88 | 14 | M6 | 200 | 19 | 201 | 44,0 | SAM14025 | 458 | AZ0404 |