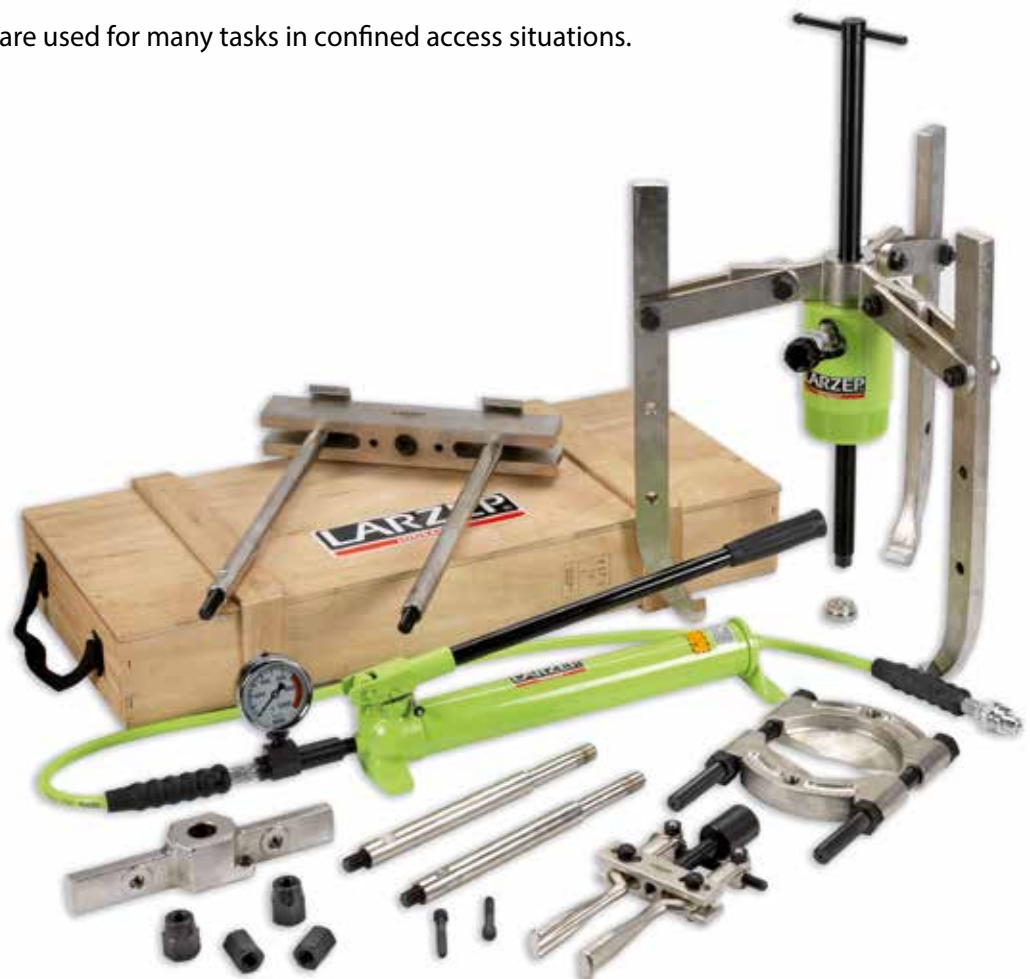


## HYDRAULIC TOOLS







**LARZEP** offers a wide range of tools for different applications: Chain Cutters, Cable Cutters, Pullers, Presses and Spread Cylinders.

- ✓ Chain cutters designed for chain and high resistance bar cutting.  
Available with either built-in pump, or powered by a separate pump.
- ✓ Cable cutters for operation in any place and position, the cable cutters make heavy jobs easier in forced and uncomfortable positions or on difficult access places like poles, shafts or high-voltage towers.
- ✓ Wide range of pullers from 5 to 50 ton to cover most pulling applications.  
Available in 2 and 3 Jaws puller, cross bearing puller, bearing cup puller and bearing puller
- ✓ Presses from 10 to 60 ton with extremely sturdy frames.  
EC models 10 and 20 ton for bench mount.
- ✓ Spread cylinders are used for many tasks in confined access situations.



# TOOLS



Models	Tool type	Capacity ton (kN)		Page
CK	Hydraulic Chain Cutters	13 - 112 (135 - 1.120)		98
CC	Hydraulic Cable Cutters	7 - 43 (70 - 437)		100
FU - FV - FZ	Hydraulic Pullers	5 - 50		102
EC	Bench Presses	10 - 20		105
EE - EM - EZ	Presses	30 - 60		105
CY	Spread Cylinders	0,8 - 15 (8 - 150)		108

**HYDRAULIC CHAIN CUTTERS**

- ✓ Maximum working pressure 700 bar.
- ✓ CK0016 model includes an integral built-in hand pump.  
Other models are powered by an external hand, air, electric, or petrol pump.
- ✓ CK0216, CK0230 and CK0250 models are double acting, for fast retraction.
- ✓ CK0116 and CK0216 are not equipped with handle.
- ✓ All models are provided with standard female coupler AZ3140.

**Z12107**  
Air Hydraulic Pump

P.70

**HBM**  
Manual Powerpack

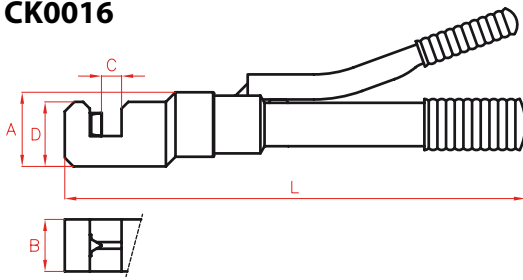
P.72

**AP**  
Hydraulic Hoses

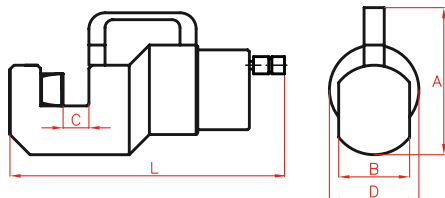
P.84



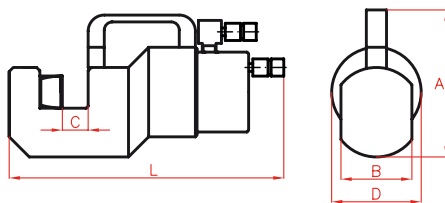
CK0016



CK0116 - CK0130



CK0216 - CK0230 - CK0250



Type	<b>CK</b>
Capacity	<b>13 - 112 ton</b>
Chain	<b>max. 50 mm</b>
Max. pressure	<b>700 bar</b>

Model	Replacement Blades	
	Mobile	Fixed
CK0016	CRK161	CRK162
CK0116	CRK161	CRK162
CK0130	CRK301	CRK302
CK0216	CRK161	CRK162
CK0230	CRK301	CRK302
CK0250	CRK501	CRK502

\* maximum ø

Model	Capacity	Oil Cap.	Weight	A	B	C	D	L	Chain *	Strength	Bar *	Strength
LARZEP	kN	cm <sup>3</sup>	kg	mm	mm	mm	mm	mm	mm	by grades	mm	N/mm <sup>2</sup>
CK0016	135	-	5,8	81,5	54	19,5	68	489	19	28 - 43	19	700
											15	1.000
									14	60 - 80	13	1.400
CK0116	135	38	4,8	81,5	54	19,5	68	290	19	28 - 43	19	700
											15	1.000
									14	60 - 80	13	1.400
CK0130	390	182	16,8	183	88	31	113	360	30	28 - 43	30	700
											25	1.000
									20	60 - 80	20	1.400
CK0216	135	38	8,4	126	54	19,5	81	343	19	28 - 43	19	700
											15	1.000
									14	60 - 80	13	1.400
CK0230	345	161	16,0	183	88	31	113	412	30	28 - 43	30	700
											25	1.000
									20	60 - 80	20	1.400
CK0250	1.120	842	68,0	265	120	52	207	475	50	28 - 43	50	700
											45	1.000
									40	60 - 80	40	1.400
										35	1.600	

## HYDRAULIC CABLE CUTTERS



- ✓ CC0260 model is double acting and is especially recommended for sub-sea applications. Optionally we can supply special seal kits for deep water operation.
- ✓ CC0018, CC0040 and CC0075 models are self-contained, with integral built-in pump. These tools are supplied with a relief valve to prevent overload.
- ✓ Single acting models have spring return.
- ✓ Rotating heads for easy operation.
- ✓ Installing replacement blades is a simple operation.
- ✓ All models are provided with with standard female coupler AZ3140.
- ✓ CC0190 and CC01120 are equipped with handle.
- ✓ Carry box included for easy transport and tool protection.

**Z12107**  
Air Hydraulic Pump



P.70

**AP**  
Hydraulic Hoses



P.84





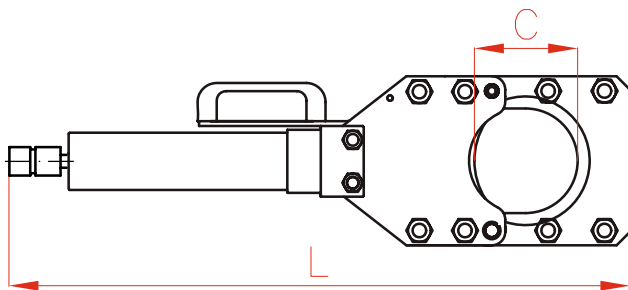
Type **CC**

Capacity **7 - 43 ton**

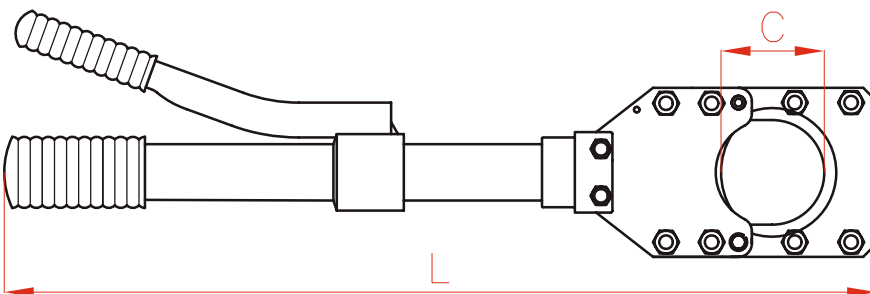
Cable **max. 120 mm**

Max. pressure **700 bar**

CC0118 - CC0140 - CC0160 - CC0175 - CC0190 - CC01120



CC0018 - CC0040 - CC0075



Model	Replacement Blades
LARZEP	LARZEP
CC0018	CRC18
CC0040	CRC35-40
CC0075	CRC75
CC0118	CRC18
CC0140	CRC35-40
CC0160	CRC0160
CC0175	CRC75
CC0190	CRC0190
CC01120	CRC01120
CC0260	CRC0160

Model	Capacity	Oil Capacity	L	C	Weight	Wire Rope Ø (Al)	Cable Ø Shown diameters are only for guidance				Wire Rope Ø (Steel) <sup>1)</sup>	
							Cable	Telephone	Lead Shielded	Underground	Cable	Wire
	kN	cm <sup>3</sup>	mm	mm	kg	mm	mm	mm	mm	mm	mm	
CC0018	70	-	385	18	2,8	18	18	18	18	18	1	
CC0040	135	-	490	40	5,6	40	40	40	40	32	1	
CC0075	70	-	650	75	6,6	40	75	75	75	*	*	
CC0118	70	24	212	18	2,0	18	18	18	18	18	1	
CC0140	135	86	292	40	5,3	40	40	40	40	32	1	
CC0160	437	420	388	60	15,8	60	60	60	60	60	2	
CC0175	70	74	451	75	5,5	40	75	75	75	*	*	
CC0190	109	149	535	90	10,0	35	90	90	90	*	*	
CC01120	109	203	635	120	11,7	35	120	120	120	*	*	
CC0260	390	431	480	60	24,6	60	60	60	60	60	2	

\* This unit is not designed to cut this material. Any attempt to do so may result in personal injury or damage to the unit and will void the warranty.

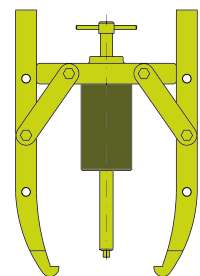
<sup>1)</sup> Max. Strength 1.800 N/mm<sup>2</sup>

**HYDRAULIC PULLERS**

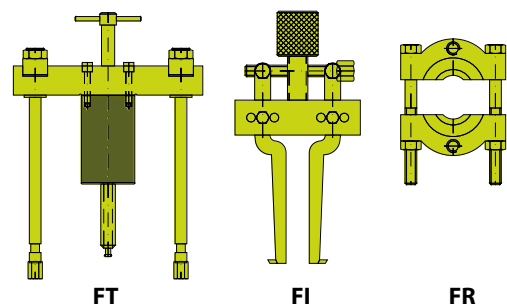


- ✓ Wide range of models from 5 to 50 ton capacity suitable for most maintenance pulling applications.
- ✓ All pullers are delivered in a strong wooden box for ease of transport and storage.
- ✓ Manufactured in high quality forged steel, includes hydraulic and all mechanical components.
- ✓ Hydraulic part includes: cylinder, pump, hose, pressure gauge, gauge adaptor, male coupling and hollow saddle.
- ✓ Mechanic part includes:  
 2 jaws puller (FX) / 3 jaws puller (FV)  
 Complete cross bearing puller (FZ) that includes:  
 Simple cross bearing puller (FT) with long and short extension pieces,  
 bearing cup puller (FI), bearing puller (FR)
- ✓ Universal puller (FU), jaws pullers (FX and FV) and cross bearing puller (FT), include hydraulic and mechanical parts.

**FX - FV Jaws puller**



**FZ Cross bearing pullers**



**HYDRAULIC PULLER SETS - FU**

(Include hydraulic and mechanic part)

Capacity (ton)	5	10	20	30	50
Model	FU0500	FU1000	FU2000	FU3000	FU5000
Hydraulic Part	JH005181	JH012041	JH022051	JH030051	JH060081
Mechanic Part	FU0500M	FU1000M	FU2000M	FU3000M	FU5000M
Weight (kg)	20	35	80	145	315



Type **FU - FV - FZ**

Capacity **5 - 50 ton**

Max. pressure **700 bar**

**PULLER HYDRAULICS**

Capacity (ton)	5	10	20	30	50
Model	JH005181	JH012041	JH022051	JH030051	JH060081
Cylinder	SM00518	SH01204	SH02205	SH03006	SH06008
Pump	W20307	W20307	W10607	W20807	W21807
Hose	AP2015	AP2015	AP2015	AP2015	AP2020
Gauge adaptor	AZ1502	AZ1502	AZ1502	AZ1502	AZ1502
Pressure gauge	AV10007	AV10007	AV10007	AV10007	AV10007
Male half coupling	AZ3120	AZ3120	AZ3120	AZ3120	AZ3120
Hollow saddle	-	AZ0551	AZ0552	AZ0553	AZ0556
Weight (kg)	7	8	16	21	34



**PULLER MECHANICAL PARTS**

Capacity (ton)	5	10	20	30	50	FV	FX	FZ	FT
Model	FU0500M	FU1000M	FU2000M	FU3000M	FU5000M				
Jaw	FU0507	FU1007	FU2007	FU3007	FU5007	3	2	-	-
3 Jaws crosshead	-	-	FU2008	FU3008	FU5008	✓	-	-	-
2 Jaws crosshead	-	-	FU2009	FU3009	FU5009	✓	✓	-	-
2 and 3 Jaws crosshead	FU0508	FU1008	-	-	-	✓	✓	-	-
Arms	FU0510	FU1010	FU2010	FU3010	FU5010	6	4	-	-
Jaws bolts + Nuts	FU0511	FU1011	FU2011	FU3011	FU5011	6	4	-	-
Slinde + Handle	-	FU1012	FU2012	FU3012	FU5012	✓	✓	✓	✓
Short bolts (2)	-	14A0330	14A0074	14A0075	14A0076	✓	✓	-	-
Bearing puller	FR1000	FR1000	FR2000	FR3000	FR5000	-	-	✓	-
Gross crosshead	FU0517	FU1017	FU2017	FU3017	FU5017	-	-	✓	✓
Blank nuts (2)	FU1018	FU1018	FU2018	FU3018	FU5018	-	-	✓	✓
Washer (2)	FU1019	FU1019	FU2019	FU3019	FU5019	-	-	✓	✓
Slides (2)	FU0520	FU1020	FU2020	FU3020	FU5020	-	-	✓	✓
Fixing nuts (2)	FU0521	FU1021	FU2021	FU3021	FU5021	-	-	✓	✓
Large extenders (2)	FU0522	FU1022	FU2022	FU3022	FU5022	-	-	✓	✓
Short extenders (2)	FU0523	FU1023	FU2023	FU3023	FU5023	-	-	✓	✓
Bearing cup puller	-	FI1000	FI2000	FI3000	FI5000	-	-	✓	-
Point protector	FU0525	FU1025	FU2025	FU5025	FU5025	✓	✓	✓	✓
Connection nuts (2)	14B0050	14B0051	14B0029	14B0030	14B0031	-	-	✓	✓
Long bolts (2)	-	14A0331	14A0098	14A0099	14A0100	-	-	✓	✓
Weight (kg)	11	27	63	123	280				

✓ Included - Not available

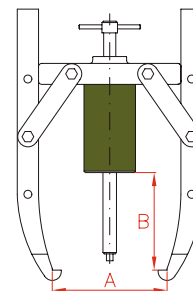


**JAWS PULLER FX - FV**

(Include hydraulic and mechanic part)

Capacity	2 JAWS				3 JAWS			
	Model	A max.	B max.	Weight	Model	A max.	B max.	Weight*
ton	LARZEP	mm	mm	kg	LARZEP	mm	mm	kg
5	FV0500	240	225	15	FV0500	240	225	7
10	FV1000	350	320	15	FV1000	350	320	20
20	FX2000	480	320	34	FV2000	480	320	39
30	FX3000	650	410	49	FV3000	680	390	61
50	FX5000	980	710	109	FV5000	980	710	131

\* Total weight



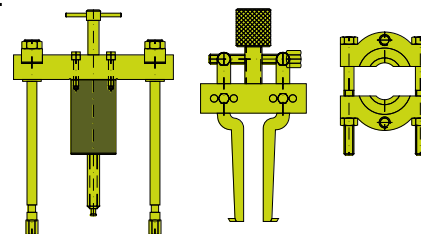
FX - FV

**FULL CROSS BEARING PULLER - FZ**

(Include hydraulic and mechanic part: FZ = FT + FI + FR)

Capacity	Model	Simple Cross Bearing Puller	Bearing Cup Puller	Bearing Puller
ton	LARZEP	FT	FI	FR
5	FZ0500	FT0500	-	FR1000
10	FZ1000	FT1000	FI1000	FR1000
20	FZ2000	FT2000	FI2000	FR2000
30	FZ3000	FT3000	FI3000	FR3000
50	FZ5000	FT5000	FI5000	FR5000

FZ



FT

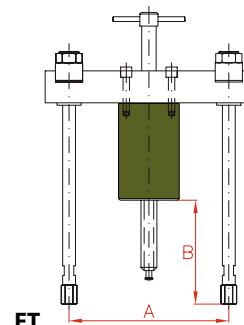
FI

FR

**SIMPLE CROSS BEARING PULLER - FT**

(Include hydraulic and mechanic part)

Capacity	Model	A min.	A max.	B max.	Weight
ton	LARZEP	mm	mm	mm	kg
5	FT0500	40	185	170	7
10	FT1000	115	260	300	8
20	FT2000	170	345	265	19
30	FT3000	185	440	284	37
50	FT5000	220	580	447	71

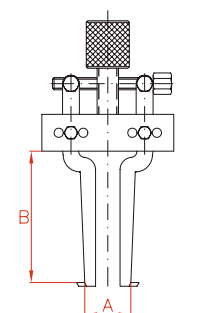


FT

**BEARING CUP PULLER - FI**

(Only mechanic part)

Capacity	Model	A min.	A max.	B	Weight
ton	LARZEP	mm	mm	mm	kg
10	FI1000	40	145	115	2,2
20	FI2000	40	145	115	2,4
30	FI3000	60	240	150	6,0
50	FI5000	60	240	150	6,4

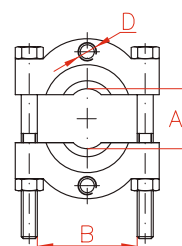


FI

**BEARING PULLER - FR**

(Only mechanic part)

Capacity	Model	A min.	A max.	B	D
ton	LARZEP	mm	mm	mm	UN
5 - 10	FR1000	10	110	130	5/8" UNF-18
20	FR2000	12	134	155	5/8" UNF-18
30	FR3000	17	250	260	1" UNF-14
50	FR5000	35	300	300	1 1/4" UNF-12



FR



PRESSES

PRESSES



Type **EC - EE - EM - EZ**

Capacity **10 - 60 ton**

Max. pressure **700 bar**



- ✓ Extremely sturdy frames, made from welded steel profiles, available as bench mount (EC series) and floor mounted H-Frame models.
- ✓ Models are available powered by hand pump, air/hydraulic pump or electric/hydraulic pump. CE versions are fitted with remote motor control.
- ✓ Table height is adjustable on floor mounted models, manually on 30 ton, winch on 60 ton.
- ✓ V-blocks and a pressure gauge reading in tons are supplied as standard on all models.
- ✓ The hydraulic cylinder on the ECM and ECZ bench presses can be easily removed and used in other applications.
- ✓ The EM models incorporate a two-speed hand pump for quick approach of the piston to the work piece.



V-blocks and pressure gauge reading in tons are supplied as standard on all models.

EC-EE-EM-EZ TOOLS

Capacity	Frame		E	H max.	Stroke	Model	Pump Type			
ton	Bench Mount	Floor Mount	mm	mm	mm	LARZEP	Hand	Electric	Air	Model
10	*	-	350	376	155	ECM01115	*	-	-	W10607
	*	-	350	376	155	ECZ01115	-	-	*	Z12107
20	*	-	500	376	159	ECM02015	*	-	-	W10607
	*	-	500	376	159	ECZ02015	-	-	*	Z12107
30	-	*	500	930	150	EM03015	*	-	-	W21807
	-	*	500	930	150	EZ03015	-	-	*	Z12107
	-	*	500	930	160	EE03116	-	*	-	HBM7244
	-	*	500	930	160	EE03116-CE	-	*	-	HBM7244B
60	-	*	860	940	180	EM06018	*	-	-	W21807
	-	*	860	940	180	EZ06018	-	-	*	Z12107
	-	*	860	940	180	EE06018	-	*	-	HBM7244
	-	*	860	940	180	EE06018-CE	-	*	-	HBM7244B

Model	A	B	C	D	E	F	H min.	H max.	I	K	M	N	O
LARZEP	mm	mm	mm	mm	mm	mm	mm	mm	mm	mm	mm	mm	mm
ECM01115	819	440	220	80	350	170	-	376	80	-	400	198	12
ECZ01115	819	440	220	80	350	170	-	376	80	-	400	198	12
ECM02015	903	610	325	120	500	240	-	376	140	-	570	285	12
ECZ02015	903	610	325	120	500	240	-	376	140	-	570	285	12
EM03015	1.780	698	650	125	500	245	73	930	140	120	280	150	27
EZ03015	1.780	698	650	125	500	245	73	930	140	-	280	150	27
EE03116	1.780	698	650	125	500	245	73	930	140	275	280	150	27
EE03116-CE	1.780	698	650	125	500	245	73	930	140	275	280	150	27
EM06018	1.960	1.150	800	205	860	385	110	940	260	150	237	165	41
EZ06018	1.960	1.150	800	205	860	385	110	940	260	-	237	165	41
EE06018	1.960	1.150	800	205	860	385	110	940	260	275	237	165	41
EE06018-CE	1.960	1.150	800	205	860	385	110	940	260	275	237	165	41





Type **EC - EE - EM - EZ**

Capacity **10 - 60 ton**

Max. pressure **700 bar**

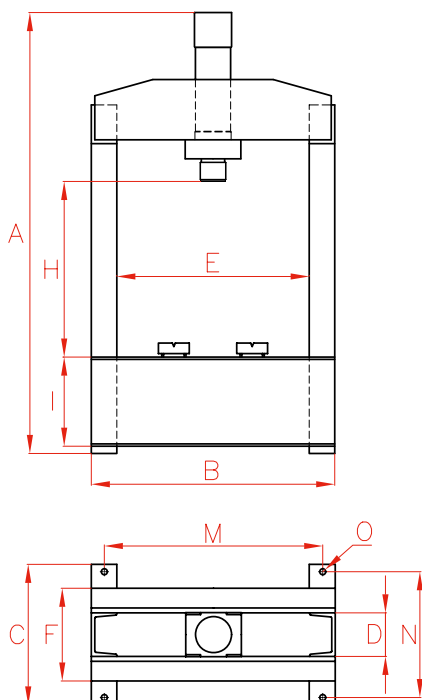
Advance speed  
 \* Hand Pump (mm/stroke)  
 \* Electric Pump (mm/sec.)  
 \* Air Pump (mm/sec.)

Cylinder type			Oil Cap.	Advance speed *		Weight	Model
S/A	D/A	Model	cm <sup>3</sup>	Fast	Slow	kg	LARZEP
*	-	SM01015	247	-	1,7	41	<b>ECM01115</b>
*	-	SM01015	247	-	1,8	42	<b>ECZ01115</b>
*	-	SM02315	528	5,5	0,9	85	<b>ECM02015</b>
*	-	SM02315	528	-	1,2	90	<b>ECZ02015</b>
*	-	SM03015	663	2,9	0,6	120	<b>EM03015</b>
*	-	SM03015	663	-	0,6	121	<b>EZ03015</b>
-	*	D03016	707	11,3	2,1	135	<b>EE03116</b>
-	*	D03016	707	11,3	2,1	140	<b>EE03116-CE</b>
*	-	SM06018	1.558	1,5	0,2	455	<b>EM06018</b>
*	-	SM06018	1.558	-	0,4	456	<b>EZ06018</b>
-	*	D06018	1.558	5,7	1,0	480	<b>EE06018</b>
-	*	D06018	1.558	5,7	1,0	485	<b>EE06018-CE</b>

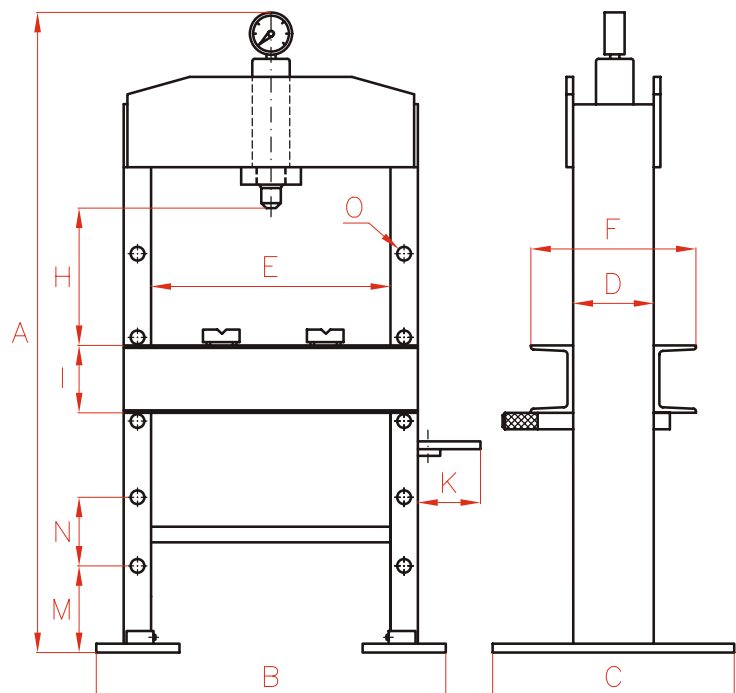


V-blocks and pressure gauge reading in tons are supplied as standard on all models.

10 and 20 ton Presses



30 and 60 ton Presses



EC-EE-EM-EZ TOOLS

**WEDGE SPREADER**



**WEDGE SPREADER**

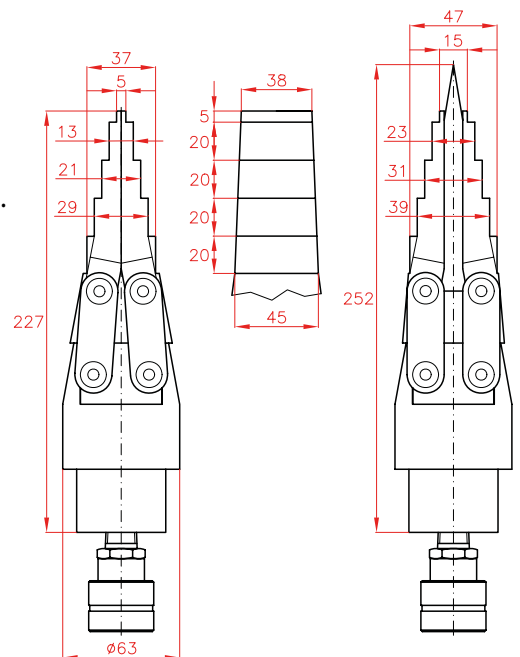
Type **CY**

Capacity **15 ton**

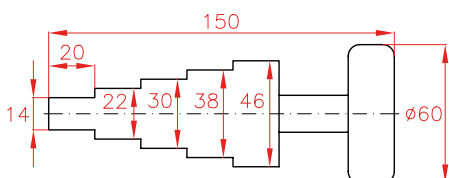
Max. pressure **700 bar**



- ✓ 15 ton capacity wedge spreader.
- ✓ Lightweight and ergonomic tool. Easy and quick maintenance.
- ✓ Specially designed for pipe and flange repair and maintenance.  
Can be used also for seal replacement, removing elbows or heavy equipment maintenance.
- ✓ Required access gap of only 5 mm.
- ✓ Suitable for harsh offshore environment due to corrosion protection.
- ✓ Recommended to be used in pairs.
- ✓ Options: Aluminium Safety block **CY15B**; Handle **CY15H**; Kit **CY1501S**, with pump and 2 wedge spreaders and accessories.



Aluminium Safety Block **CY15B** as option.



Capacity	Model	Oil Capacity	Access Gap	Max. open width	Weight
ton	LARZEP	cm <sup>3</sup>	mm	mm	kg
15	CY1501	16	5	47	3,2



SPREAD CYLINDERS

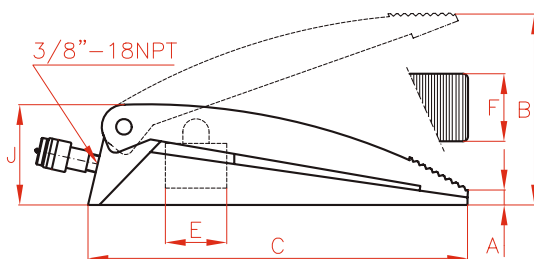


Type	<b>CY</b>
Capacity	<b>0,8 - 1 ton</b>
Max. pressure	<b>700 bar</b>

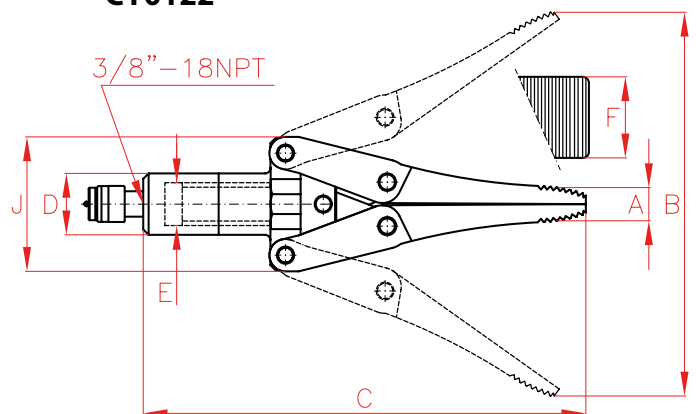


- ✓ CY series spreaders are used for many tasks in confined access situations.
- ✓ CY0109G is used for very confined situations and CY0122 is used for greater spreading distance.
- ✓ CY0109G and CY0122 models are supplied with AZ3140 high-flow female couplers.

**CY0109G**



**CY0122**



Capacity		Stroke	Model	Oil Cap.	Area	A	B	C	D	E	F	J	Weight
ton	kN	mm	LARZEP	cm <sup>3</sup>	cm <sup>2</sup>	mm	mm	mm	mm	mm	mm	mm	kg
1	10	75	<b>CY0109G</b>	10	7	15	90	168	-	29	55	55	2
0,8	8	189	<b>CY0122</b>	63	11,3	31	220	382	50	38	50	124	6