

SQUARE DRIVE HYDRAULIC TORQUE WRENCHES

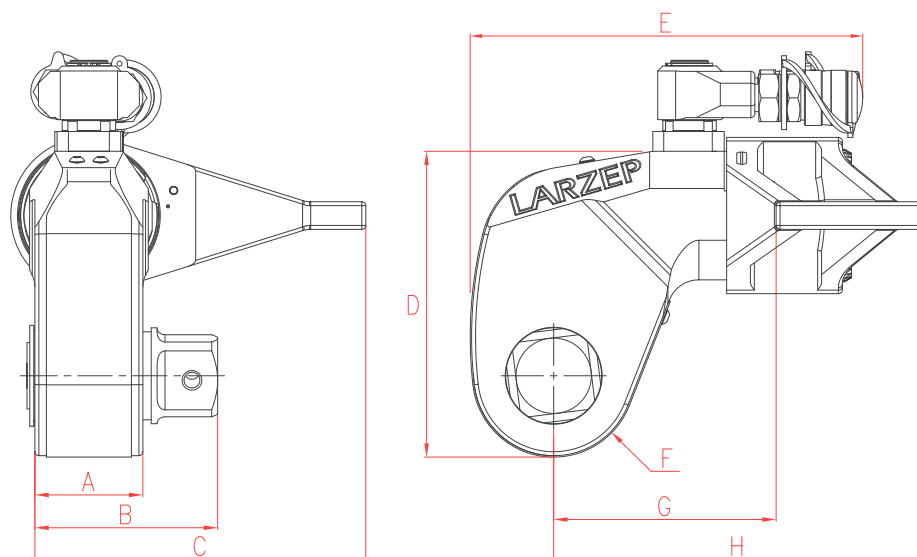


- ✓ Designed to tighten and loosen nuts requiring accurate high torque during bolt tightening and maximum torque during bolt loosening.
- ✓ Compact body construction, provides high strength and small operating radius.
- ✓ 35° rotation angle and rapid return stroke.
- ✓ Adjustable 360° reaction arm with quick release lever.
- ✓ Easy positioning that provides the maximum torque at any angle.
- ✓ Torque accuracy: ±3% across full stroke.
- ✓ All models include LSQ square drive, with push button release for quickly reversing for tightening and loosening applications.

Torque (Nm)		Model	Square Drive	A	B	C	D	E	F	G	H	Weight
Min.	Max.	LARZEP	"	mm	mm	mm	mm	mm	mm	mm	mm	kg
198	1.898	LS02	3/4"	39	65	108	97	136	25	70	129	2,7
433	4.339	LS04	1"	48	78	135	128	173	33	90	161	5,0
835	8.144	LS08	1 1/2"	55	92	169	157	192	40	110	188	8,5
1.491	14.914	LS15	1 1/2"	72	114	197	190	228	50	133	229	15,0
3.407	34.079	LS34	2 1/2"	89	143	246	244	287	64	182	295	31,0



SQUARE DRIVE TORQUE WRENCHES



Type **LS**

Torque **198 - 34.079 Nm**

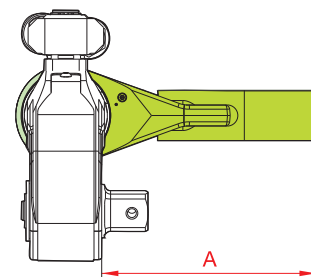
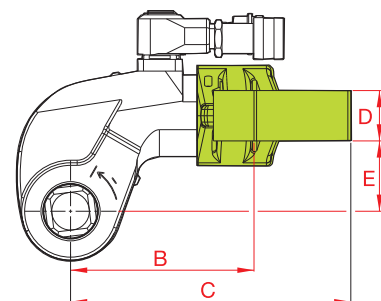
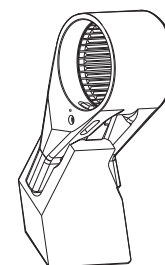
Max. pressure **690 bar**



Available wide range of heavy-duty impact sockets.
Wide range of accessories available: Reaction Tube Extensions and Extended Reaction Arms.
Optional Allen hexagonal Drives and Short Reaction Arms for use with allen drives.
Several models of HAT torque wrench pumps available.

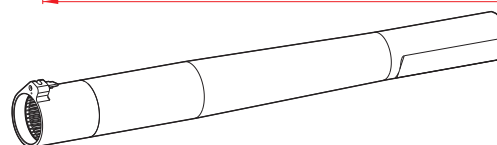
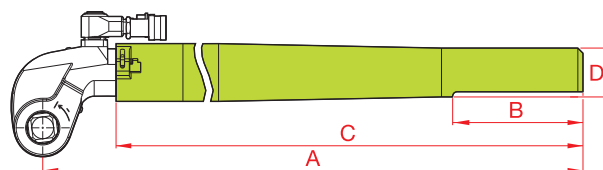
Extended Reaction Arms

Wrench	Max. Torque	Model	A	B	C	D	E	Weight
Model	Nm	LARZEP	mm	mm	mm	mm	mm	kg
LS02	1.800	LS02LA1	94	86	127	24	34	0,8
	1.640	LS02LA2	119	97	138	24	34	1,0
	1.530	LS02LA3	145	109	148	24	34	1,2
LS04	3.915	LS04LA1	111	106	168	34	48	1,6
	3.710	LS04LA2	137	117	182	34	48	2,0
	3.570	LS04LA3	162	132	198	34	48	2,5
LS08	7.840	LS08LA1	138	128	192	39	62	2,3
	7.450	LS08LA2	163	144	207	39	62	2,7
	7.175	LS08LA3	189	159	222	39	62	3,4
LS15	14.650	LS15LA1	149	157	232	46	76	4,4
	13.955	LS15LA2	175	172	247	46	76	5,1
	13.390	LS15LA3	200	187	261	46	76	5,8
LS34	33.535	LS34LA1	183	209	295	50	100	7,6
	32.045	LS34LA2	208	222	310	50	100	8,4
	30.750	LS34LA3	233	236	326	50	100	10,0



Reaction Tube Extension

Wrench	Model	A	B	C	D	Weight
Model	LARZEP	mm	mm	mm	mm	kg
LS02	LS02RT	706	152	636	58	4,6
LS04	LS04RT	733	152	647	57	5,5
LS08	LS08RT	747	152	659	65	7,7
LS15	LS15RT	769	152	675	76	11,2
LS34	LS34RT	813	152	685	100	17,3



HEAVY DUTY IMPACT SOCKETS


Type

LSS

Nut

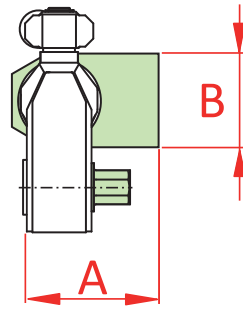
M14 - M125

 Hexagon size **22 -180 mm (A/F)**
HEAVY DUTY IMPACT SOCKETS


Socket		Square Drive			
Hexagon	Thread	Model	Model	Model	Model
mm (A/F)	ø	3/4"	1"	1 1/2"	2 1/2"
22	M14	LSS07022	-	-	-
24	M16	LSS07024	-	-	-
27	M18	LSS07027	LSS10027	-	-
30	M20	LSS07030	LSS10030	-	-
32	M22	LSS07032	LSS10032	LSS15032	-
36	M24	LSS07036	LSS10036	LSS15036	-
41	M27	LSS07041	LSS10041	LSS15041	-
46	M30	LSS07046	LSS10046	LSS15046	-
50	M33	LSS07050	LSS10050	LSS15050	-
55	M36	LSS07055	LSS10055	LSS15055	LSS25055
60	M39	-	LSS10060	LSS15060	LSS25060
65	M42	-	LSS10065	LSS15065	LSS25065
70	M45	-	LSS10070	LSS15070	LSS25070
75	M48	-	LSS10075	LSS15075	LSS25075
80	M52	-	LSS10080	LSS15080	LSS25080
85	M56	-	LSS10085	LSS15085	LSS25085
90	M60	-	LSS10090	LSS15090	LSS25090
95	M64	-	LSS10095	LSS15095	LSS25095
100	M68	-	-	LSS15100	LSS25100
105	M72	-	-	LSS15105	LSS25105
110	M76	-	-	LSS15110	LSS25110
115	M80	-	-	LSS15115	LSS25115
120	M85	-	-	LSS15120	LSS25120
130	M90	-	-	LSS15130	LSS25130
135	M95	-	-	LSS15135	LSS25135
145	M100	-	-	LSS15145	LSS25145
150	M105	-	-	LSS15150	LSS25150
155	M110	-	-	-	LSS25155
165	M115	-	-	-	LSS25165
175	M120	-	-	-	LSS25175
180	M125	-	-	-	LSS25180



ALLEN KEY DRIVES & SHORT REACTION ARMS



Type **LSA**

Hexagon size **14 - 85 mm (A/F)**

Max. Torque **644 - 34.079 Nm**

Torque Wrench	Allen Drives				Short Reaction Arm		
Model	Model	Hexagon	Max. Torque	Length	Model	A	B
LARZEP	LARZEP	mm	Nm	mm	LARZEP	mm	mm
LS02	LSA0214	14	644	66	LS02SA	67,5	74
	LSA0217	17	1.150	68			
	LSA0219	19	1.605	70			
	LSA0222	22	1.897	73			
	LSA0224	24	1.897	74			
LS04	LSA0417	17	1.150	77	LS04SA	80,0	74
	LSA0419	19	1.605	79			
	LSA0422	22	2.485	82			
	LSA0424	24	3.230	84			
	LSA0427	27	4.336	85			
	LSA0430	30	4.336	87			
	LSA0432	32	4.336	88			
LS08	LSA0817	17	1.150	86	LS08SA	91,5	89
	LSA0819	19	1.605	88			
	LSA0822	22	2.485	91			
	LSA0824	24	3.230	93			
	LSA0827	27	4.600	94			
	LSA0830	30	6.308	96			
	LSA0832	32	7.656	97			
LS15	LSA1530	30	6.308	112	LS15SA	127,5	106
	LSA1532	32	7.656	114			
	LSA1536	36	10.894	117			
	LSA1541	41	14.905	121			
	LSA1546	46	14.905	127			
LS34	LSA3436	36	10.894	140	LS34SA	158,5	135
	LSA3441	41	16.098	144			
	LSA3446	46	22.730	148			
	LSA3450	50	29.194	151			
	LSA3455	55	34.079	154			
	LSA3460	60	34.079	158			
	LSA3465	65	34.079	161			
	LSA3470	70	34.079	164			
	LSA3475	75	34.079	168			
	LSA3485	85	34.079	175			