

LIFTING TABLES

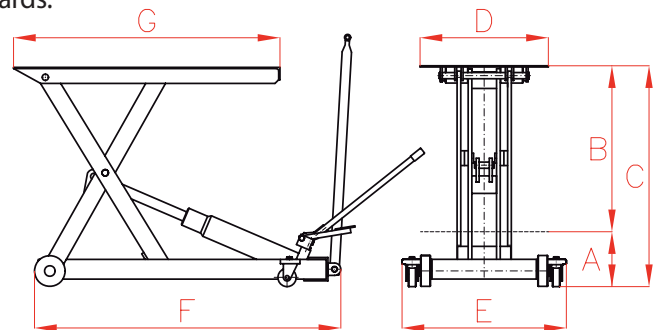
LIFTING TABLES



Type	F
Capacity	650 - 2.500 kg
Max. pressure	700 bar



- ✓ Single lift, from 650 to 2.500 kg lifting capacity.
- ✓ A foot pedal is fitted to advance the lifting table quickly to contact the load.
The operating handle is then used to lift the load.
- ✓ Special lowering valve for a safe and controlled movement. Overload safety relief valve.
- ✓ Operating handle facilitates easier operation.
- ✓ The table can be locked at different heights with safety pins.
- ✓ Polyamide duty swivel castors for easy manoeuvrability.
- ✓ The frame is in accordance with lifting table security standards.



Capacity	Model	A	B	C	D	E	F	G	Weight
kg	LARZEP	mm	mm	mm	mm	mm	mm	mm	kg
650	F00643	215	430	645	500	645	1.060	830	72
1.500	F01567	210	670	880	500	690	1.380	1.020	136
2.500	F02558	300	580	880	540	795	1.440	1.060	188