

PRESSES

PRESSES



Type **EC - EE - EM - EZ**

Capacity **10 - 60 ton**

Max. pressure **700 bar**



- ✓ Extremely sturdy frames, made from welded steel profiles, available as bench mount (EC series) and floor mounted H-Frame models.
- ✓ Models are available powered by hand pump, air/hydraulic pump or electric/hydraulic pump. CE versions are fitted with remote motor control.
- ✓ Table height is adjustable on floor mounted models, manually on 30 ton, winch on 60 ton.
- ✓ V-blocks and a pressure gauge reading in tons are supplied as standard on all models.
- ✓ The hydraulic cylinder on the ECM and ECZ bench presses can be easily removed and used in other applications.
- ✓ The EM models incorporate a two-speed hand pump for quick approach of the piston to the work piece.



V-blocks and pressure gauge reading in tons are supplied as standard on all models.

EC-EE-EM-EZ TOOLS

Capacity	Frame		E	H max.	Stroke	Model	Pump Type			
ton	Bench Mount	Floor Mount	mm	mm	mm	LARZEP	Hand	Electric	Air	Model
10	*	-	350	376	155	ECM01115	*	-	-	W10607
	*	-	350	376	155	ECZ01115	-	-	*	Z12107
20	*	-	500	376	159	ECM02015	*	-	-	W10607
	*	-	500	376	159	ECZ02015	-	-	*	Z12107
30	-	*	500	930	150	EM03015	*	-	-	W21807
	-	*	500	930	150	EZ03015	-	-	*	Z12107
	-	*	500	930	160	EE03116	-	*	-	HBM7244
	-	*	500	930	160	EE03116-CE	-	*	-	HBM7244B
60	-	*	860	940	180	EM06018	*	-	-	W21807
	-	*	860	940	180	EZ06018	-	-	*	Z12107
	-	*	860	940	180	EE06018	-	*	-	HBM7244
	-	*	860	940	180	EE06018-CE	-	*	-	HBM7244B

Model	A	B	C	D	E	F	H min.	H max.	I	K	M	N	O
LARZEP	mm	mm	mm	mm	mm	mm	mm	mm	mm	mm	mm	mm	mm
ECM01115	819	440	220	80	350	170	-	376	80	-	400	198	12
ECZ01115	819	440	220	80	350	170	-	376	80	-	400	198	12
ECM02015	903	610	325	120	500	240	-	376	140	-	570	285	12
ECZ02015	903	610	325	120	500	240	-	376	140	-	570	285	12
EM03015	1.780	698	650	125	500	245	73	930	140	120	280	150	27
EZ03015	1.780	698	650	125	500	245	73	930	140	-	280	150	27
EE03116	1.780	698	650	125	500	245	73	930	140	275	280	150	27
EE03116-CE	1.780	698	650	125	500	245	73	930	140	275	280	150	27
EM06018	1.960	1.150	800	205	860	385	110	940	260	150	237	165	41
EZ06018	1.960	1.150	800	205	860	385	110	940	260	-	237	165	41
EE06018	1.960	1.150	800	205	860	385	110	940	260	275	237	165	41
EE06018-CE	1.960	1.150	800	205	860	385	110	940	260	275	237	165	41





Type **EC - EE - EM - EZ**

Capacity **10 - 60 ton**

Max. pressure **700 bar**

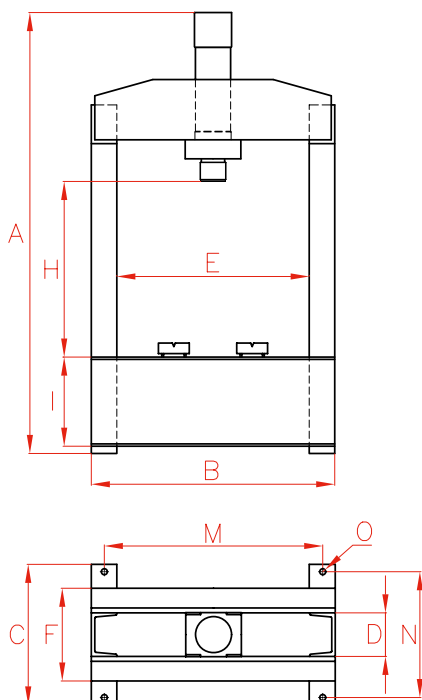
Advance speed
 * Hand Pump (mm/stroke)
 * Electric Pump (mm/sec.)
 * Air Pump (mm/sec.)

Cylinder type			Oil Cap. cm ³	Advance speed *		Weight kg	Model
S/A	D/A	Model		Fast	Slow		
*	-	SM01015	247	-	1,7	41	ECM01115
*	-	SM01015	247	-	1,8	42	ECZ01115
*	-	SM02315	528	5,5	0,9	85	ECM02015
*	-	SM02315	528	-	1,2	90	ECZ02015
*	-	SM03015	663	2,9	0,6	120	EM03015
*	-	SM03015	663	-	0,6	121	EZ03015
-	*	D03016	707	11,3	2,1	135	EE03116
-	*	D03016	707	11,3	2,1	140	EE03116-CE
*	-	SM06018	1.558	1,5	0,2	455	EM06018
*	-	SM06018	1.558	-	0,4	456	EZ06018
-	*	D06018	1.558	5,7	1,0	480	EE06018
-	*	D06018	1.558	5,7	1,0	485	EE06018-CE



V-blocks and pressure gauge reading in tons are supplied as standard on all models.

10 and 20 ton Presses



30 and 60 ton Presses

