

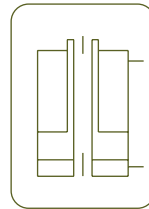
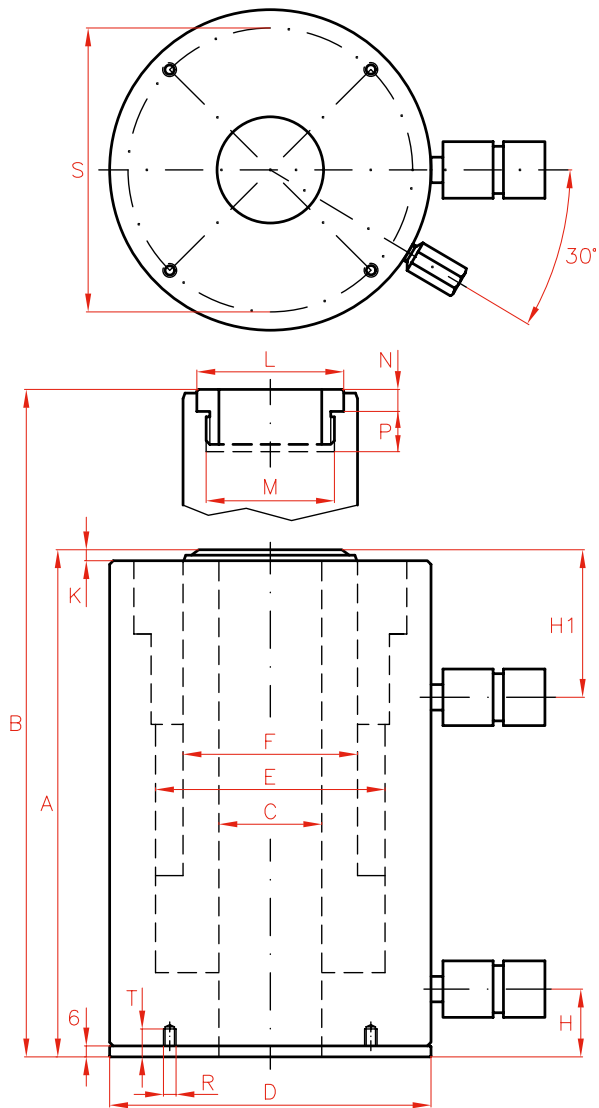
**ALUMINIUM DOUBLE ACTING, HOLLOW PISTON CYLINDERS**



- ✓ Capacities from 30 to 100 ton, strokes up to 250 mm.
- ✓ For push and pull operations: Tensioning cable and bolts, pulling sleeves and bearings.
- ✓ Made from high-strength aluminium alloy.
- ✓ All aluminium parts are treated to improve resistance and extend working life.
- ✓ Lightweight. Over 40% weight reduction when compared with steel equivalent.
- ✓ Lighter and shorter than single acting SAH equivalent.
- ✓ Fitted with steel base plate for wear resistance.
- ✓ Safety valve to prevent accidental over-pressure.
- ✓ Hollow plain saddle as standard. Optional solid or threaded saddles available. See page 90.
- ✓ Not suitable for high-cycle applications.

Capacity	Stroke	Model	Capacity (kN)		Oil Cap.		
			ton	mm			LARZEP
30	50	DAH03005		302	173	220	
	100	DAH03010		302	173	440	
	150	DAH03015		302	173	660	
	200	DAH03020		302	173	880	
	250	DAH03025		302	173	1.100	
60	50	DAH06005		578	356	421	
	100	DAH06010		578	356	842	
	150	DAH06015		578	356	1.263	
	200	DAH06020		578	356	1.684	
	250	DAH06025		578	356	2.105	
100	50	DAH10005		1.018	647	742	
	100	DAH10010		1.018	647	1.484	
	150	DAH10015		1.018	647	2.226	
	200	DAH10020		1.018	647	2.968	
	250	DAH10025		1.018	647	3.710	





ALUMINIUM D/A HOLLOW CYLINDERS



Type	<b>DAH</b>
Capacity	30 - 100 ton
Stroke	50 - 250 mm
Max. pressure	700 bar

DAH CYLINDERS

**DH**  
Double Acting Hollow Piston Cylinders



P.52

**AZ04**  
Optional Saddles available



P.90

	A	B	C	D	E	F	H	H1	K	L	M	N	P	R	S	T	Area	Weight	Model
	mm	mm	mm	mm	mm	mm	mm	mm	mm	mm	UN	mm	mm		mm	mm	cm <sup>2</sup>	kg	LARZEP
	217	267	34	130	90	70	32	61	4	55	1 11/13"-16	9	22	M6	110	19	44	7	<b>DAH03005</b>
	267	367	34	130	90	70	32	61	4	55	1 11/13"-16	9	22	M6	110	19	44	9	<b>DAH03010</b>
	317	467	34	130	90	70	32	61	4	55	1 11/13"-16	9	22	M6	110	19	44	12	<b>DAH03015</b>
	367	567	34	130	90	70	32	61	4	55	1 11/13"-16	9	22	M6	110	19	44	13	<b>DAH03020</b>
	417	667	34	130	90	70	32	61	4	55	1 11/13"-16	9	22	M6	110	19	44	15	<b>DAH03025</b>
	225	275	56	175	125	95	37	66	4	80	2 3/4"-16	12	22	M6	155	19	84	13	<b>DAH06005</b>
	275	375	56	175	125	95	37	66	4	80	2 3/4"-16	12	22	M6	155	19	84	16	<b>DAH06010</b>
	325	475	56	175	125	95	37	66	4	80	2 3/4"-16	12	22	M6	155	19	84	19	<b>DAH06015</b>
	375	575	56	175	125	95	37	66	4	80	2 3/4"-16	12	22	M6	155	19	84	22	<b>DAH06020</b>
	425	675	56	175	125	95	37	66	4	80	2 3/4"-16	12	22	M6	155	19	84	25	<b>DAH06025</b>
	256	306	81	235	170	130	40	80	6	116	4"-16	13	25	M6	215	19	148	27	<b>DAH10005</b>
	306	406	81	235	170	130	40	80	6	116	4"-16	13	25	M6	215	19	148	33	<b>DAH10010</b>
	356	506	81	235	170	130	40	80	6	116	4"-16	13	25	M6	215	19	148	38	<b>DAH10015</b>
	406	606	81	235	170	130	40	80	6	116	4"-16	13	25	M6	215	19	148	43	<b>DAH10020</b>
	456	706	81	235	170	130	40	80	6	116	4"-16	13	25	M6	215	19	148	49	<b>DAH10025</b>