











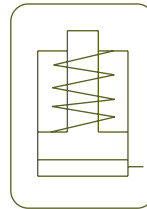
CYLINDERS

Models	Cylinder Type	Capacity ton (kN)	Stroke mm		Page
SM	Single Acting Spring Return Cylinders Attachments for SM and D cylinders (P.10)	5 - 220 (49 - 2.156)	25 - 362		6
SAM	Aluminium Single Acting Cylinders, Spring Return	30 - 140 (303 - 1.380)	50 - 300		12
SH	Single Acting Hollow Piston Cylinders, Spring Return	12 - 100 (121 - 1.018)	40 - 150		16
SAH	Aluminium Single Acting Cylinders, Hollow Piston, Spring Return	22 - 100 (217 - 1.019)	50 - 250		18
SP - SMP	Single Acting Low Height Cylinders, Load or Spring Return	10 - 100 (109 - 911)	40 - 150		22
SX - SMX	Single Acting Low Profile Cylinders, Load or Spring Return	4 - 150 (44 - 1.450)	6 - 16		24
STC	Single Acting Locknut Cylinders, Load Return	30 - 1.085 (303 - 10.644)	50 - 300		26
STX	Single Acting Pancake Cylinders, Locknut Tilting Saddle, Load Return	50 - 500 (496 - 5.114)	45 - 50		32
SSC	Single Acting High Tonnage Cylinders, Load Return	144 - 1.085 (1.407 - 10.644)	50 - 300		34
TE - TD	Pull Cylinders, Spring Return or Double Acting	10 - 50 (109 - 483)	150		38
D	Double Acting Cylinders	10 - 550 (109 - 5.519)	50 - 320		40
DDC	Double Acting High Tonnage Cylinders	51 - 1.085 (496 - 10.644)	50 - 300		44
DDA	Aluminium Double Acting Cylinders	50 - 100 (487 - 911)	50 - 300		48
DH	Double Acting Hollow Piston Cylinders	30 - 150 (302 - 1.407)	38 - 250		52
DAH	Aluminium Double Acting Cylinders, Hollow Piston	30 - 100 (302 - 1.018)	50 - 250		54
DM	Double Acting Production Cylinders and Mounting Accessories	4 - 23 (34 - 228)	28 - 260		56
J	Cylinder-Pump Sets, Single Acting	5 - 100 (49 - 1.018)	40 - 362		60
A	Bottle Jacks	3 - 50 (33 - 483)	105 - 150		62

SINGLE ACTING SPRING RETURN CYLINDERS



- ✓ Capacities from 5 to 220 ton, stroke up to 362 mm.
- ✓ Industrial general purpose cylinders.
- ✓ Strong spring for quick retraction, can be used in all positions.
- ✓ Collar threads, piston end threads and base holes, for accessory mounting.
- ✓ Hard chrome-plated piston with wiper seal to extend cylinder life.
- ✓ Heavy cylinders include carrying handles or eye bolts as standard.
- ✓ Body made of solid steel.
- ✓ Stop ring can withstand full capacity of the cylinder.
- ✓ Guiding bands to improve resistance against side-loads.



S/A SPRING RETURN CYLINDERS



Type	SM
Capacity	5 - 220 ton
Stroke	25 - 362 mm
Max. pressure	700 bar

SM CYLINDERS



In case of operation under side loads, Larzep can supply tilting saddles.

AZ04
Optional Tilting Saddles



P.90

SM & D
Special attachments for SM and D models



P.10

AZ3
Coupler 3/8" - 18 NPT included



P.86

SAM
Lightweight Aluminium Cylinders



P.12

D
Double Acting Cylinders



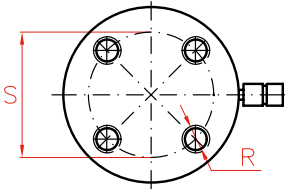
P.40

J
Cylinder and pump sets

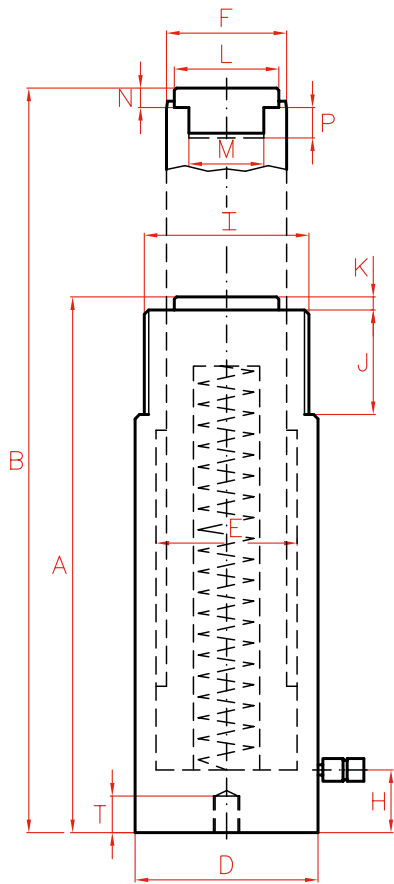
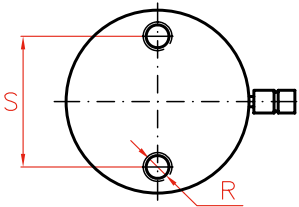


P.60

Models from 100 to 140 ton



Models up to 75 ton



Capacity		Stroke	Model	Oil Cap.	A	B	D	E	F	H	I	
ton	kN	mm	LARZEP	cm ³	mm	mm	mm	mm	mm	mm	UN	
5	49	25	SM00502	18	110	135	40	30	25	19	1 1/2"-16	
		76	SM00508	54	168	244	40	30	25	19	1 1/2"-16	
		127	SM00513	90	219	346	40	30	25	19	1 1/2"-16	
		180	SM00518	128	276	456	40	30	25	19	1 1/2"-16	
		232	SM00523	164	328	560	40	30	25	19	1 1/2"-16	
10	109	25	SM01002	40	90	115	60	45	36	20	2 1/4"-14	
		54	SM01005	86	121	175	60	45	36	20	2 1/4"-14	
		105	SM01010	167	172	277	60	45	36	20	2 1/4"-14	
		155	SM01015	247	247	402	60	45	36	20	2 1/4"-14	
		205	SM01020	326	301	506	60	45	36	20	2 1/4"-14	
		257	SM01025	409	352	609	60	45	36	20	2 1/4"-14	
		307	SM01030	489	402	709	60	45	36	20	2 1/4"-14	
355	SM01035	565	454	809	60	45	36	20	2 1/4"-14			
15	163	25	SM01502	60	127	152	75	55	45	20	2 3/4"-16	
		54	SM01505	129	155	209	75	55	45	20	2 3/4"-16	
		105	SM01510	250	205	310	75	55	45	20	2 3/4"-16	
		155	SM01515	369	275	430	75	55	45	20	2 3/4"-16	
		205	SM01520	487	327	532	75	55	45	20	2 3/4"-16	
		257	SM01525	611	379	636	75	55	45	20	2 3/4"-16	
		307	SM01530	730	426	733	75	55	45	20	2 3/4"-16	
355	SM01535	844	477	832	75	55	45	20	2 3/4"-16			
23	228	25	SM02302	83	140	165	85	65	56	25	3 5/16"-12	
		51	SM02305	170	166	217	85	65	56	25	3 5/16"-12	
		102	SM02310	339	217	319	85	65	56	25	3 5/16"-12	
		159	SM02315	528	277	436	85	65	56	25	3 5/16"-12	
		210	SM02321	697	327	537	85	65	56	25	3 5/16"-12	
		261	SM02326	866	379	640	85	65	56	25	3 5/16"-12	
		310	SM02331	1.029	430	740	85	65	56	25	3 5/16"-12	
		362	SM02336	1.201	480	842	85	65	56	25	3 5/16"-12	
30	303	60	SM03006	265	165	225	100	75	60	30	3 7/8"-12	
		150	SM03015	663	270	420	100	75	60	30	3 7/8"-12	
		210	SM03021	928	340	550	100	75	60	30	3 7/8"-12	
50	487	60	SM05006	426	176	236	127	95	80	35	5"-12	
		102	SM05010	723	227	329	127	95	80	35	5"-12	
		160	SM05016	1.134	285	445	127	95	80	35	5"-12	
		200	SM05020	1.418	325	525	127	95	80	35	5"-12	
		250	SM05025	1.772	376	626	127	95	80	35	5"-12	
339	SM05034	2.402	465	804	127	95	80	35	5"-12			
75	713	160	SM07516	1.661	285	445	150	115	90	35	5 3/4"-12	
		330	SM07533	3.426	495	825	150	115	90	35	5 3/4"-12	
100	911	60	SM10006	797	180	240	177	130	110	40	6 7/8"-12	
		150	SM10015	1.991	300	450	177	130	110	40	6 7/8"-12	
		260	SM10026	3.451	449	709	177	130	110	40	6 7/8"-12	
140	1.380	60	SM14006	1.206	190	250	216	160	140	40	8 1/2"-12	
		150	SM14015	3.015	320	470	216	160	140	40	8 1/2"-12	
		260	SM14026	5.226	470	730	216	160	140	40	8 1/2"-12	
220	2.156	150	SM22015	4.710	340	490	250	200	160	40	-	



* SM01002 and SM01502 models are not provided with removable saddles.

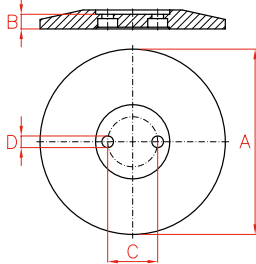


Always read the safety instructions.

	J	K	L	M	N	P	R	S	T	Area	Weight	Model	With tilting saddle	
	mm	mm	mm	UN	mm	mm	UN	mm	mm	cm ²	kg	LARZEP	A	Model
	28	6	25	3/4"-16	6	14	1/4"-20	25	14	7	1,0	SM00502	-	-
	28	6	25	3/4"-16	6	14	1/4"-20	25	14	7	1,5	SM00508	-	-
	28	6	25	3/4"-16	6	14	1/4"-20	25	14	7	1,9	SM00513	-	-
	28	6	25	3/4"-16	6	14	1/4"-20	25	14	7	2,4	SM00518	-	-
	28	6	25	3/4"-16	6	14	1/4"-20	25	14	7	2,8	SM00523	-	-
	32	6	30	*	*	*	5/16"-18	39	12	16	1,8	SM01002	*	*
	32	6	28	1"-8	10	19	5/16"-18	39	12	16	2,4	SM01005	140	AZ0420
	32	6	28	1"-8	10	19	5/16"-18	39	12	16	3,3	SM01010	191	AZ0420
	32	6	28	1"-8	10	19	5/16"-18	39	12	16	4,7	SM01015	266	AZ0420
	32	6	28	1"-8	10	19	5/16"-18	39	12	16	5,7	SM01020	320	AZ0420
	32	6	28	1"-8	10	19	5/16"-18	39	12	16	6,6	SM01025	371	AZ0420
	32	6	28	1"-8	10	19	5/16"-18	39	12	16	7,4	SM01030	421	AZ0420
	32	6	28	1"-8	10	19	5/16"-18	39	12	16	8,4	SM01035	473	AZ0420
	32	8	35	*	*	*	3/8"-16	47	12	24	4,2	SM01502	*	*
	32	8	35	1"-8	8	25	3/8"-16	47	12	24	5,0	SM01505	176	AZ0423
	32	8	35	1"-8	8	25	3/8"-16	47	12	24	6,4	SM01510	226	AZ0423
	32	8	35	1"-8	8	25	3/8"-16	47	12	24	8,5	SM01515	296	AZ0423
	32	8	35	1"-8	8	25	3/8"-16	47	12	24	10,0	SM01520	348	AZ0423
	32	8	35	1"-8	8	25	3/8"-16	47	12	24	11,5	SM01525	400	AZ0423
	32	8	35	1"-8	8	25	3/8"-16	47	12	24	12,8	SM01530	447	AZ0423
	32	8	35	1"-8	8	25	3/8"-16	47	12	24	14,2	SM01535	498	AZ0423
	45	10	45	1 1/2"-16	10	25	1/2"-13	58	19	33	6,0	SM02302	158	AZ0421
	45	10	45	1 1/2"-16	10	25	1/2"-13	58	19	33	7,0	SM02305	184	AZ0421
	45	10	45	1 1/2"-16	10	25	1/2"-13	58	19	33	8,9	SM02310	235	AZ0421
	45	10	45	1 1/2"-16	10	25	1/2"-13	58	19	33	11,2	SM02315	295	AZ0421
	45	10	45	1 1/2"-16	10	25	1/2"-13	58	19	33	13,0	SM02321	345	AZ0421
	45	10	45	1 1/2"-16	10	25	1/2"-13	58	19	33	15,0	SM02326	397	AZ0421
	45	10	45	1 1/2"-16	10	25	1/2"-13	58	19	33	16,9	SM02331	448	AZ0421
	45	10	45	1 1/2"-16	10	25	1/2"-13	58	19	33	18,8	SM02336	498	AZ0421
	48	10	45	1 1/2"-16	10	25	1/2"-13	66	19	44	9,3	SM03006	183	AZ0421
	48	10	45	1 1/2"-16	10	25	1/2"-13	66	19	44	14,6	SM03015	288	AZ0421
	48	10	45	1 1/2"-16	10	25	1/2"-13	66	19	44	18,2	SM03021	358	AZ0421
	55	5	61	-	12	-	1/2"-13	95	19	71	16,4	SM05006	203	AZ0402
	55	5	61	-	12	-	1/2"-13	95	19	71	20,7	SM05010	254	AZ0402
	55	5	61	-	12	-	1/2"-13	95	19	71	25,5	SM05016	312	AZ0402
	55	5	61	-	12	-	1/2"-13	95	19	71	29,0	SM05020	352	AZ0402
	55	5	61	-	12	-	1/2"-13	95	19	71	33,1	SM05025	403	AZ0402
	55	5	61	-	12	-	1/2"-13	95	19	71	40,4	SM05034	492	AZ0402
	55	5	61	-	12	-	3/4"-10	115	19	104	32,0	SM07516	312	AZ0402
	55	5	61	-	12	-	3/4"-10	115	19	104	54,0	SM07533	522	AZ0402
	55	5	88	-	14	-	3/4"-10	139	25	133	32,0	SM10006	213	AZ0404
	55	5	88	-	14	-	3/4"-10	139	25	133	53,0	SM10015	333	AZ0404
	55	5	88	-	14	-	3/4"-10	139	25	133	78,5	SM10026	482	AZ0404
	55	5	88	-	15	-	3/4"-10	165	25	201	52,0	SM14006	222	AZ0404
	55	5	88	-	15	-	3/4"-10	165	25	201	85,7	SM14015	352	AZ0404
	55	5	88	-	15	-	3/4"-10	165	25	201	124,5	SM14026	502	AZ0404
	-	5	111	-	15	-	-	-	-	314	116,5	SM22015	377	AZ0405

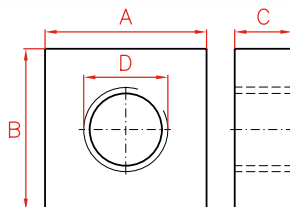
ATTACHMENTS FOR SM AND D MODELS

Base Plate



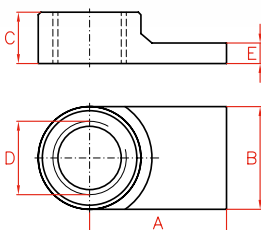
Capacity (ton)		Model	A	B	C	D	Weight
SM	D	LARZEP	mm	mm	mm	mm	kg
5	-	SM005P	150	15	25	7,0	2,2
10	10	SM010P	180	15	39	8,5	2,7
15	-	SM015P	180	15	47	10,0	2,7
23	20	SM023P	215	17	58	13,5	4,9
30	30	SM030P	215	17	66	13,5	4,9

Mounting Block



Capacity (ton)		Model	A	B	C	D
SM	D	LARZEP	mm	mm	mm	UN
5	-	SM005B	76	90	25	1 1/2" - 16
10	10	SM010B	90	114	30	2 1/4" - 14
15	-	SM015B	100	114	30	2 3/4" - 16
23	-	SM023B	127	127	45	3 5/16" - 12
30	30	SM030B	135	135	45	3 7/8" - 12

Collar Toe



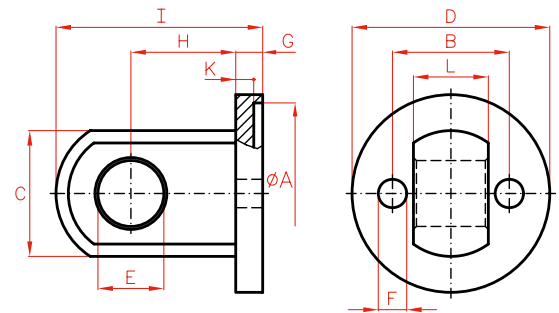
WARNING

When using this accessory do not exceed 350 bar.

Capacity (ton)		Model	A	B	C	D	E
SM	D	LARZEP	mm	mm	mm	UN	mm
5	-	SM005U	54	31	25	1 1/2" - 16	11
10	10	SM010U	79	60	37	2 1/4" - 14	12
23	-	SM023U	105	80	40	3 5/16" - 12	20

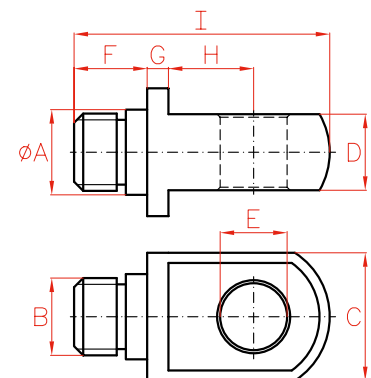


Clevis Eye Body



Capacity (ton)		Model	A	B	C	D	E	F	G	H	I	K	L
SM	D	LARZEP	mm	mm	mm	mm	mm	mm	mm	mm	mm	mm	mm
5	-	SM005RB	41	25	28	46	16	8	9	25	50	6	14
10	10	SM010RB	61	39	42	66	22	10	9	35	69	6	25
15	-	SM015RB	76	47	42	82	22	11	9	35	69	6	25
23	20	SM023RB	86	58	57	95	31	14	12	41	84	7	38

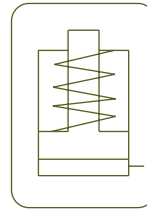
Clevis Eye Piston



Capacity (ton)		Model	A	B	C	D	E	F	G	H	I
SM	D	LARZEP	mm	UN	mm	mm	mm	mm	mm	mm	mm
5	-	SM005RP	25	3/4"-16	28	14	16	15	5	19	55
10	10-20	SM010-15RP	28	1"-8	42	25	22	24	7	28	84
23	30	SM023RP	45	1 1/2"-16	57	38	31	27	8	35	101

ALUMINIUM SINGLE ACTING CYLINDERS, SPRING RETURN

- ✓ Lightweight, general purpose cylinders from 30 to 140 ton, stroke up to 300 mm.
- ✓ Made from high strength aluminium alloy.
- ✓ Solid piston, spring return.
- ✓ All aluminium parts are treated to improve resistance and extend working life.
- ✓ 40% weight reduction when compared with steel equivalent.
- ✓ Fitted with steel base plate and saddle for wear resistance.
- ✓ Not suitable for high-cycle applications.



S/A ALUMINIUM CYLINDERS



Type	SAM
Capacity	30 - 140 ton
Stroke	50 - 300 mm
Max. pressure	700 bar

SAM CYLINDERS



The body, stop ring and piston of the cylinder are hard anodized to strengthen the working area and extend its working life.

The lighter weight of aluminium makes them especially suitable for use in sites of difficult access.

It is highly recommended to place the cylinder on a flat area to avoid any damage to the base.

SAH
Lightweight Aluminium
Hollow Piston Cylinders



P.18

DDA
Double Acting Aluminium Cylinders



P.48

WA
Aluminium Hand Pumps



P.68



HBM / HBE
Powerpacks



P.72

Z12107
Air Hydraulic Pumps

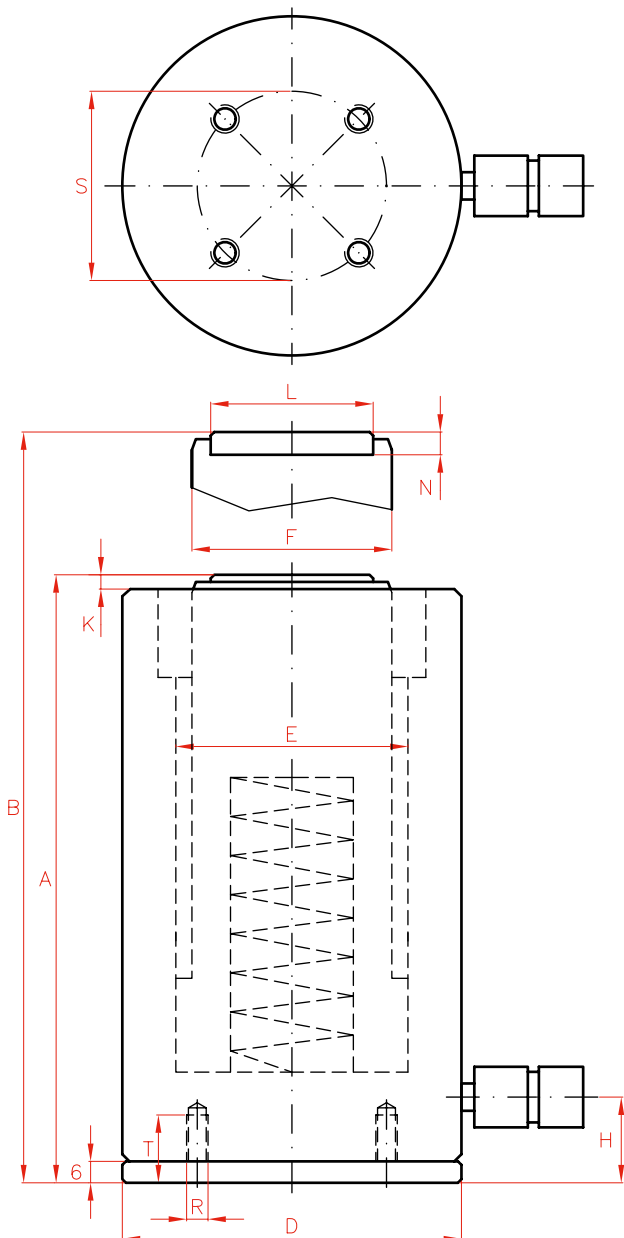


P.70

W
Single Acting Hand Pumps



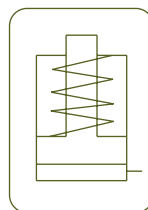
P.66



Capacity		Stroke	Model	Oil Cap.	A
ton	kN	mm	LARZEP	cm ³	mm
30	303	50	SAM03005	221	172
		100	SAM03010	442	222
		150	SAM03015	663	272
		200	SAM03020	883	322
		250	SAM03025	1.104	372
		300	SAM03030	1.325	422
50	487	50	SAM05005	354	180
		100	SAM05010	709	230
		150	SAM05015	1.063	280
		200	SAM05020	1.417	330
		250	SAM05025	1.772	380
		300	SAM05030	2.126	430
100	911	50	SAM10005	663	210
		100	SAM10010	1.326	260
		150	SAM10015	1.989	310
		200	SAM10020	2.652	360
		250	SAM10025	3.315	410
		300	SAM10030	3.982	460
140	1.380	50	SAM14005	1.005	225
		100	SAM14010	2.010	275
		150	SAM14015	3.016	325
		200	SAM14020	4.021	375
		250	SAM14025	5.026	425



S/A ALUMINIUM CYLINDERS



Type **SAM**

Capacity **30 - 140 ton**

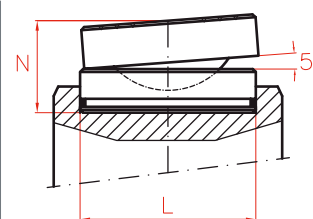
Stroke **50 - 300 mm**

Max. pressure **700 bar**

SAM CYLINDERS

OPTIONAL TILTING SADDLES

Model	L	N	Weight
LARZEP	mm	mm	kg
AZ0401	45	36	0,4
AZ0402	61	39	0,8
AZ0404	88	47	2,2



P.90

	B	D	E	F	H	K	L	N	R	S	T	Area	Weight	Model	With tilting saddle	
	mm	mm	mm	mm	mm	mm	mm	mm		mm	mm	cm ²	kg	LARZEP	A	Model
	222	105	75	60	24	6	45	11	M6	85	19	44	4,8	SAM03005	197	AZ0401
	322	105	75	60	24	6	45	11	M6	85	19	44	5,4	SAM03010	247	AZ0401
	422	105	75	60	24	6	45	11	M6	85	19	44	6,4	SAM03015	297	AZ0401
	522	105	75	60	24	6	45	11	M6	85	19	44	7,4	SAM03020	347	AZ0401
	622	105	75	60	24	6	45	11	M6	85	19	44	8,4	SAM03025	397	AZ0401
	722	105	75	60	24	6	45	11	M6	85	19	44	9,3	SAM03030	447	AZ0401
	230	135	95	80	26	7	61	12	M6	115	19	71	8,0	SAM05005	207	AZ0402
	330	135	95	80	26	7	61	12	M6	115	19	71	9,5	SAM05010	257	AZ0402
	430	135	95	80	26	7	61	12	M6	115	19	71	11,0	SAM05015	307	AZ0402
	530	135	95	80	26	7	61	12	M6	115	19	71	11,5	SAM05020	357	AZ0402
	630	135	95	80	26	7	61	12	M6	115	19	71	13,0	SAM05025	407	AZ0402
	730	135	95	80	26	7	61	12	M6	115	19	71	14,5	SAM05030	457	AZ0402
	260	180	130	110	32	5	88	14	M6	160	19	133	16,0	SAM10005	243	AZ0404
	360	180	130	110	32	5	88	14	M6	160	19	133	19,0	SAM10010	293	AZ0404
	460	180	130	110	32	5	88	14	M6	160	19	133	22,0	SAM10015	343	AZ0404
	560	180	130	110	32	5	88	14	M6	160	19	133	25,0	SAM10020	393	AZ0404
	660	180	130	110	32	5	88	14	M6	160	19	133	28,0	SAM10025	443	AZ0404
	760	180	130	110	32	5	88	14	M6	160	19	133	31,0	SAM10030	493	AZ0404
	275	225	160	140	43	6	88	14	M6	200	19	201	24,0	SAM14005	258	AZ0404
	375	225	160	140	43	6	88	14	M6	200	19	201	29,0	SAM14010	308	AZ0404
	475	225	160	140	43	6	88	14	M6	200	19	201	34,0	SAM14015	358	AZ0404
	575	225	160	140	43	6	88	14	M6	200	19	201	39,0	SAM14020	408	AZ0404
	675	225	160	140	43	6	88	14	M6	200	19	201	44,0	SAM14025	458	AZ0404

SINGLE ACTING HOLLOW PISTON CYLINDERS, SPRING RETURN



- ✓ Capacities from 12 to 100 ton, strokes up to 150 mm.
 - ✓ Spring return, hollow piston.
 - ✓ For push and pull applications: Tensioning cables and bolts, pulling sleeves and bearings.
 - ✓ Body and saddle black nitrided to improve corrosion and wear resistance, except 12 ton models.
 - ✓ Hollow hard chrome-plated piston.
 - ✓ Collar threads, piston end thread and base holes for easy fixing.
 - ✓ Compatible with our complete puller range.
 - ✓ Hollow plain saddle as standard.
- Optional solid or threaded saddles available. Page 90.
- ✓ Hollow cylinders also available in double acting DH and aluminium single and double acting SAH and DAH.

Capacity		Stroke	Model	Oil Cap.	A	B	C
ton	kN	mm	LARZEP	cm ³	mm	mm	mm
12	121	40	SH01204	70	124	164	20,5
		76	SH01208	134	176	252	20,5
		150	SH01215	264	300	450	20,5
22	217	50	SH02205	158	165	215	27
		76	SH02208	240	203	279	27
		150	SH02215	474	318	468	27
30	302	64	SH03006	281	197	261	34
		150	SH03015	660	322	472	34
60	578	76	SH06008	640	223	299	56
		153	SH06015	1.288	315	468	56
100	1.019	80	SH10008	1.187	282	362	81
		150	SH10015	2.225	367	517	81

AZ04 & AZ05
Optional Saddles available
Tilting or hollow



P.90



HOLLOW PISTON CYLINDERS



Type	SH
Capacity	12 - 100 ton
Stroke	40 - 150 mm
Max. pressure	700 bar

SAH
Lightweight Aluminium
Hollow Piston Cylinders

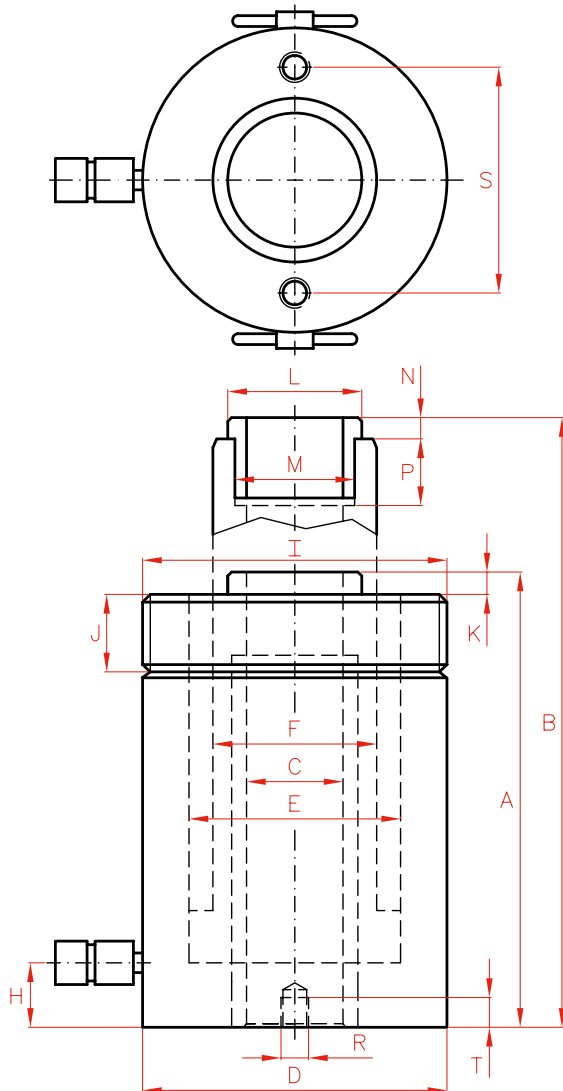
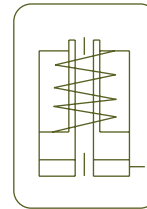


P.18

DH
Double Acting Hollow Piston Cylinders



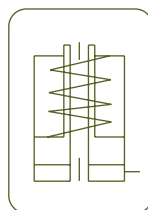
P.52



	D	E	F	H	I	J	K	L	M	N	P	R	S	T	Area	Weight	Model
	mm	mm	mm	mm	UN	mm	mm	mm	UN	mm	mm	UN	mm	mm	cm ²	kg	LARZEP
	75	55	40	19	2 3/4"-16	30	3	34	M28 x 1,5	7	18	5/16"-18	51	12	18	3,4	SH01204
	75	55	40	19	2 3/4"-16	30	3	34	M28 x 1,5	7	18	5/16"-18	51	12	18	4,6	SH01208
	75	55	40	19	2 3/4"-16	30	3	34	M28 x 1,5	7	18	5/16"-18	51	12	18	7,6	SH01215
	105	75	56	23	3 7/8"-12	38	3	48	1 9/16"-16	8	20	3/8"-16	83	15	32	8,6	SH02205
	105	75	56	23	3 7/8"-12	38	3	48	1 9/16"-16	8	20	3/8"-16	83	15	32	11,5	SH02208
	105	75	56	23	3 7/8"-12	38	3	48	1 9/16"-16	8	20	3/8"-16	83	15	32	16,4	SH02215
	120	90	68	26	4 1/2"-12	42	4	55	1 13/16"-16	9	22	3/8"-16	92	17	44	13,2	SH03006
	120	90	68	26	4 1/2"-12	42	4	55	1 13/16"-16	9	22	3/8"-16	92	17	44	18,5	SH03015
	160	125	95	31	6 1/4"-12	48	4	80	2 3/4"-16	12	22	1/2"-13	130	14	84	26,0	SH06008
	160	125	95	31	6 1/4"-12	48	4	80	2 3/4"-16	12	22	1/2"-13	130	14	84	38,0	SH06015
	213	170	130	37	8 3/8"-12	60	5	116	4"-16	13	25	5/8"-11	178	19	148	58,0	SH10008
	213	170	130	37	8 3/8"-12	60	5	116	4"-16	13	25	5/8"-11	178	19	148	79,0	SH10015

ALUMINIUM SINGLE ACTING CYLINDERS, HOLLOW PISTON, SPRING RETURN

- ✓ Lightweight hollow cylinders with capacities from 22 to 100 ton and up to 250 mm stroke.
- ✓ Made from high strength aluminium alloy.
- ✓ Hollow piston, spring return.
- ✓ All aluminium parts are treated to improve resistance and extend working life.
- ✓ Fitted with steel base plate and saddle for wear resistance.
- ✓ 40% weight reduction when compared with steel equivalent.
- ✓ Hollow plain saddle as standard.
- ✓ Not suitable for high-cycle applications.



HOLLOW PISTON ALUM. CYLINDERS



Type **SAH**

Capacity **22 - 100 ton**

Stroke **50 - 250 mm**

Max. pressure **700 bar**

SAH CYLINDERS



AZ04 & AZ05
Optional Saddles available
Plain, threaded or solid



P.90

W
Single Acting Hand Pumps



P.66



DAH
Aluminium Double Acting
Hollow Piston Cylinders



P.54

WA
Aluminium Hand Pumps



P.68

HBM / HBE
Powerpacks



P.72

Z12107
Air Hydraulic Pumps

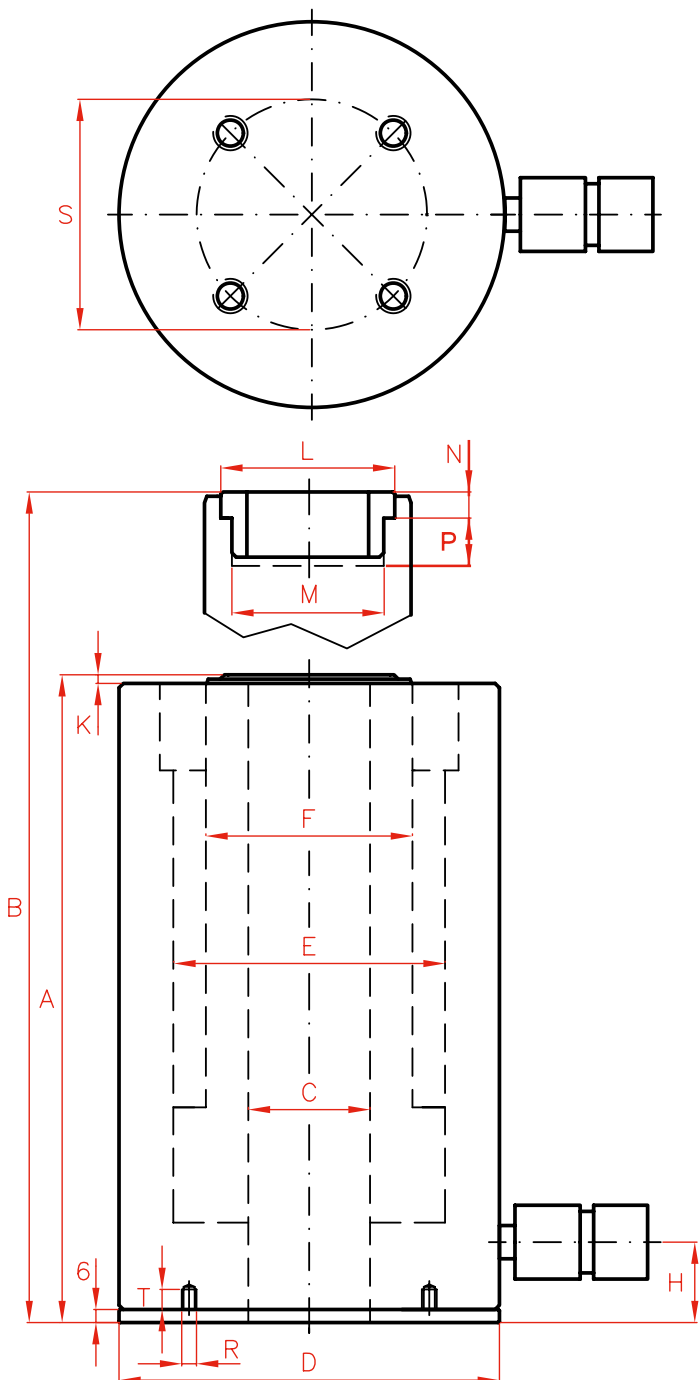


P.70

W
Single Acting Hand Pumps



P.66



Capacity		Stroke	Model	Oil Cap.	A
ton	kN	mm	LARZEP	cm ³	mm
22	217	50	SAH02205	158	183
		100	SAH02210	316	253
		150	SAH02215	474	323
		200	SAH02220	632	383
		250	SAH02225	790	448
30	302	50	SAH03005	220	210
		100	SAH03010	440	278
		150	SAH03015	660	350
		200	SAH03020	880	410
		250	SAH03025	1.100	475
60	578	50	SAH06005	421	243
		100	SAH06010	842	298
		150	SAH06015	1.263	363
		200	SAH06020	1.684	428
		250	SAH06025	2.105	493
100	1.018	50	SAH10005	742	260
		100	SAH10010	1.484	327
		150	SAH10015	2.226	397
		200	SAH10020	3.968	462
		250	SAH10025	3.710	532

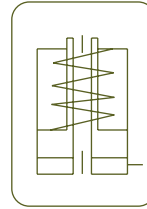


AZ04 & AZ05

Optional Saddles available
Plain, threaded or solid



P.90



HOLLOW PISTON ALUM. CYLINDERS

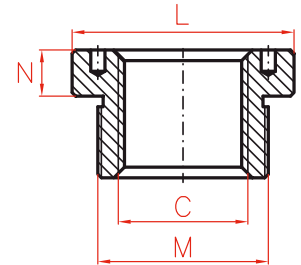


Type	SAH
Capacity	22 - 100 ton
Stroke	50 - 250 mm
Max. pressure	700 bar

SAH CYLINDERS

OPTIONAL THREADED SADDLES

Cylinder Model	Model	C	L	M	N
LARZEP	LARZEP	UN	mm	UN	mm
SAH022	AZ0552	1"-8	48	1 9/16"-16	8
SAH030	AZ0553	1 1/4"-7	55	1 13/16"-16	9
SAH060	AZ0556	1 5/8"-5 1/2	80	2 3/4"-16	12
SAH100	AZ0560	2 1/2"-8	116	4"-16	13



P.90

	B	C	D	E	F	H	K	L	M	N	P	R	S	T	Area	Weight	Model
	mm	mm	mm	mm	mm	mm	mm	mm	UN	mm	mm		mm	mm	cm ²	kg	LARZEP
	233	27	100	75	56	26	3	48	1 9/16"-16	8	20	M6	85	19	32	4,5	SAH02205
	353	27	100	75	56	26	3	48	1 9/16"-16	8	20	M6	85	19	32	5,8	SAH02210
	473	27	100	75	56	26	3	48	1 9/16"-16	8	20	M6	85	19	32	7,0	SAH02215
	587	27	100	75	56	26	3	48	1 9/16"-16	8	20	M6	85	19	32	8,0	SAH02220
	698	27	100	75	56	26	3	48	1 9/16"-16	8	20	M6	85	19	32	8,8	SAH02225
	260	34	130	90	68	32	4	55	1 11/13"-16	9	22	M6	110	19	44	7,5	SAH03005
	378	34	130	90	68	32	4	55	1 11/13"-16	9	22	M6	110	19	44	10,0	SAH03010
	500	34	130	90	68	32	4	55	1 11/13"-16	9	22	M6	110	19	44	11,5	SAH03015
	610	34	130	90	68	32	4	55	1 11/13"-16	9	22	M6	110	19	44	13,0	SAH03020
	725	34	130	90	68	32	4	55	1 11/13"-16	9	22	M6	110	19	44	14,6	SAH03025
	293	56	175	125	95	37	4	80	2 3/4"-16	12	22	M6	155	19	84	16,3	SAH06005
	398	56	175	125	95	37	4	80	2 3/4"-16	12	22	M6	155	19	84	19,5	SAH06010
	513	56	175	125	95	37	4	80	2 3/4"-16	12	22	M6	155	19	84	23,4	SAH06015
	628	56	175	125	95	37	4	80	2 3/4"-16	12	22	M6	155	19	84	26,0	SAH06020
	743	56	175	125	95	37	4	80	2 3/4"-16	12	22	M6	155	19	84	32,0	SAH06025
	310	81	235	170	130	40	6	116	4"-16	13	25	M6	215	19	148	31,0	SAH10005
	427	81	235	170	130	40	6	116	4"-16	13	25	M6	215	19	148	38,0	SAH10010
	547	81	235	170	130	40	6	116	4"-16	13	25	M6	215	19	148	45,0	SAH10015
	662	81	235	170	130	40	6	116	4"-16	13	25	M6	215	19	148	53,0	SAH10020
	782	81	235	170	130	40	6	116	4"-16	13	25	M6	215	19	148	61,0	SAH10025

SINGLE ACTING LOW HEIGHT CYLINDERS, LOAD OR SPRING RETURN

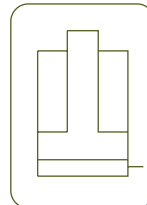
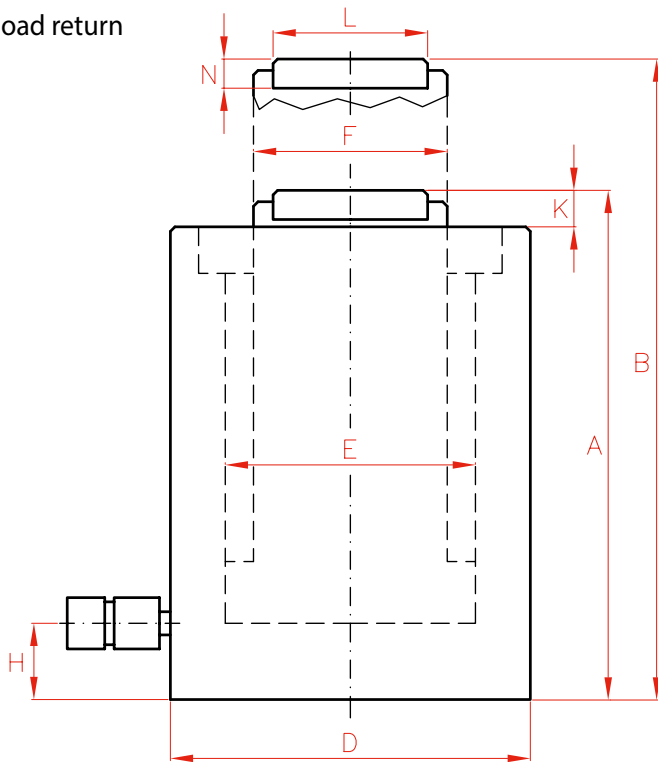


- ✓ Capacities from 10 to 100 ton, strokes up to 150 mm.
- ✓ Two versions: **SP** for load return, and **SMP** for spring return.
- ✓ Low profile for use in confined spaces: machinery positioning, tool fastening, load tests.
- ✓ Body and saddle black nitrided to improve corrosion and wear resistance.
- ✓ Optional tilting saddles can be mounted on 30 to 100 ton models.

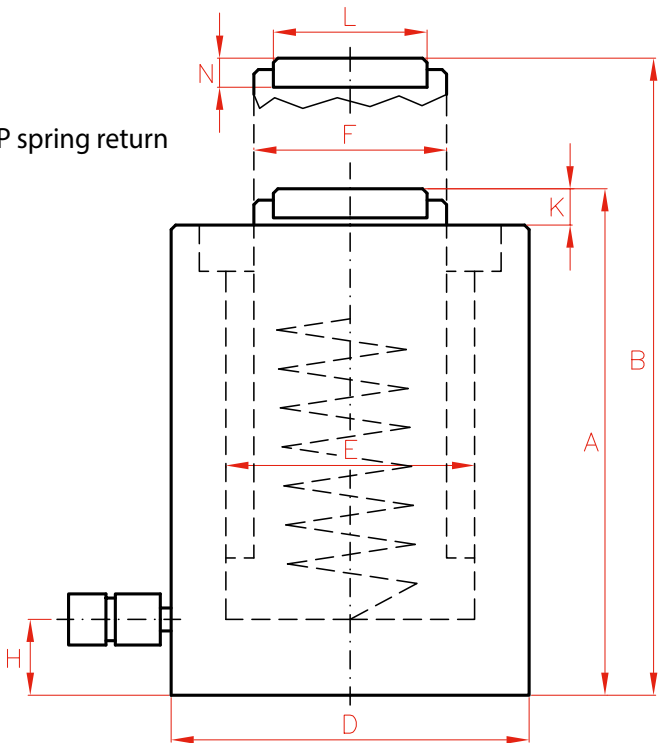
Capacity		Stroke	Model	Model	Oil Cap.	A	B	D	E	F	H	K	
ton	kN	mm	LARZEP	LARZEP	cm ³	mm	mm	mm	mm	mm	mm	mm	
10	109	40	SP01004	SMP01004	64	89	129	66	45	36	14*	2	
20	214	40	SP02004	SMP02004	125	101	141	90	63	56	14*	2	
30	303	60	SP03006	SMP03006	265	125	185	102	75	60	14*	2	
50	486	60	SP05006	SMP05006	425	125	185	127	95	80	16*	2	
100	911	60	SP10006	SMP10006	796	141	201	175	130	110	26	2	
		150	-	SMP10015	1.990	254	404	175	130	110	26	2	



SP load return



SMP spring return



SINGLE ACTING CYLINDERS



Type	SP - SMP
Capacity	10 - 100 ton
Stroke	40 - 150 mm
Max. pressure	700 bar

J Cylinder and pump sets



P.60

SX - SMX Single Acting Low Profile Cylinders



P.24

AZ3 Coupler inclined 10°



P.86

AZ04 Optional Tilting Saddles



P.90

	L	N	Area	Weight	Model	Model	With tilting saddle	
	mm	mm	cm ²	kg	LARZEP	LARZEP	A	Model
	30	-	16	3	SP01004	SMP01004	-	-
	42	-	31	5	SP02004	SMP02004	-	-
	45	11	44	8	SP03006	SMP03006	150	AZ0401
	61	12	71	12	SP05006	SMP05006	152	AZ0402
	88	14	133	25	SP10006	SMP10006	174	AZ0404
	88	14	133	43	-	SMP10015	287	AZ0404

SINGLE ACTING LOW PROFILE CYLINDERS, LOAD OR SPRING RETURN



- ✓ Capacities from 4 to 150 ton, strokes up to 16 mm.
- ✓ Two versions: **SX** for load return, and **SMX** for spring return.
- ✓ For use in confined spaces: machinery positioning, tool fastening.
- ✓ With two parallel faces for horizontal operation.
- ✓ Mounting bolt holes for easy fixing.
- ✓ Special coating as standard to improve corrosion and side-load resistance.
- ✓ SX models from 50 to 150 ton include removable saddle and can be fitted with optional tilting saddles.

SX & SMX

Coupler inclined 5°, except on 100 ton and 150 ton, which is 0°



P.86

AZ04

Optional Tilting Saddles available for SX models from 50 to 150 ton



P.90

W

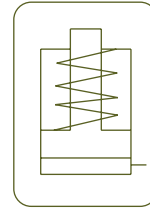
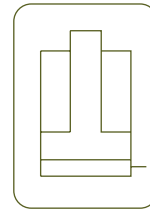
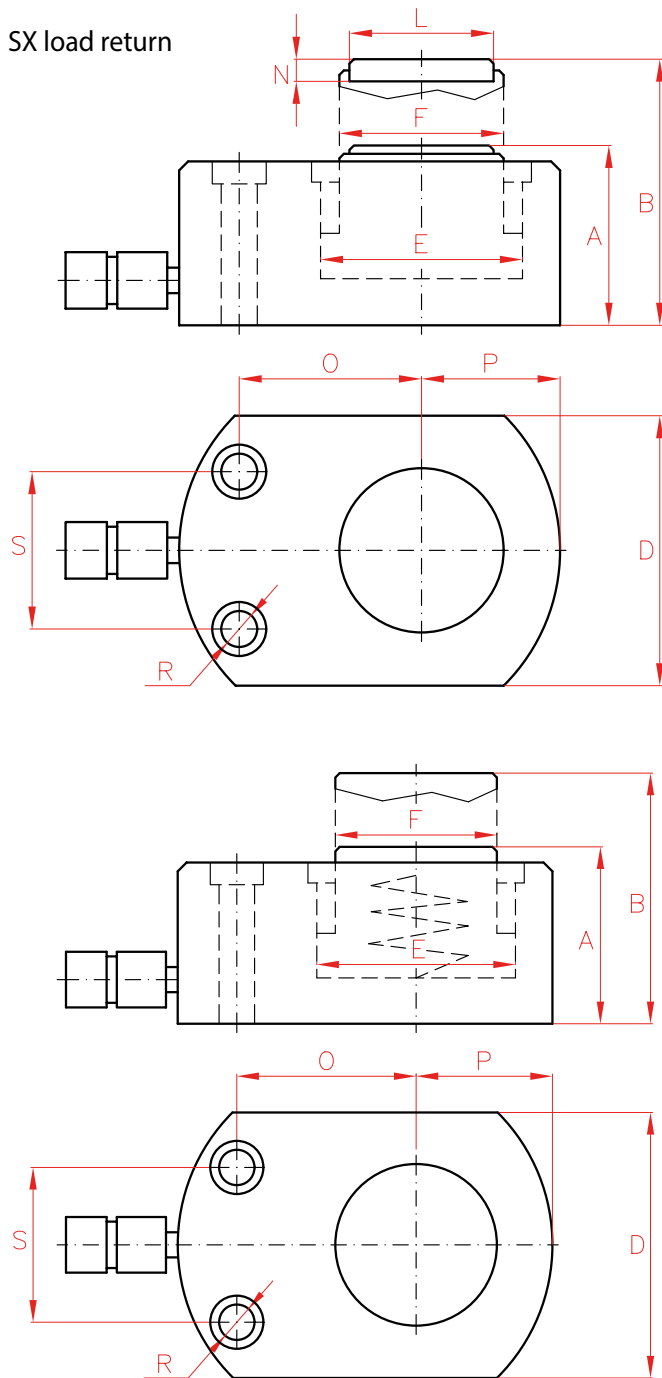
Single Acting Hand Pumps



P.66



SX load return



SMX spring return

SINGLE ACTING CYLINDERS



Type	SX - SMX
Capacity	4 - 150 ton
Stroke	6 - 16 mm
Max. pressure	700 bar

SP - SMP
Low Height Single Acting Cylinders



P.22

STX
Single Acting Pancake Locknut Cylinders



P.32

Capacity		Stroke	Model	Model	Oil Cap.	A	B	D	E	F	L	N	O	P	S	R	Area	Weight
ton	kN	mm	LARZEP	LARZEP	cm ³	mm	mm	mm	mm	mm	mm	mm	mm	mm	mm	mm	cm ²	kg
4	44	6	SX00406	SMX00406	4	33	39	41	28,5	25	21	-	20	21	28	5,5	6	0,8
		16	SX00416	SMX00416	11	43	59	41	28,5	25	21	-	20	21	28	5,5	6	1,2
10	100	11	SX01011	SMX01011	16	43	54	56	43	38	30	-	33	29	37	6,5	15	1,6
22	228	11	SX02211	SMX02211	37	52	63	80	65	57	42	-	39	41	50	9	33	2,8
30	287	13	SX03013	SMX03013	55	59	72	95	73	60	44	-	46	47	52	11	42	4,1
50	487	16	SX05016	SMX05016	114	68	84	114	95	78	61	12	56	58	67	13	71	6,6
75	713	16	SX07516	SMX07516	167	79	95	140	115	95	61	12	66	70,5	75	13	104	12,5
100	954	16	SX10016	SMX10016	223	87	103	162	133	108	88	14	70	89	76	6,6	139	15,0
150	1.450	16	SX15016	SMX15016	338	100	116	194	164	134	88	14	78	108	117	9	211	25,0