

HYDRAULIC NUT SPLITTERS



- ✓ Designed to work in two different ways, depending on the material grade of the nuts, either cutting or deforming them, allowing nut removal.
- ✓ CN0024 Model with integral pump, provides more confort.
- ✓ CN0224 Model especially designed to cut guard rail nuts.
- ✓ CN0324 Model, with open design, especially suitable for limited access situations.
- ✓ Plastic carry box included for easy transport and tool protection.
- ✓ Relief valve on CN0024 to avoid overloading.
- ✓ All models are provided with a male ball quick coupler AZ3321.

Model	Capacity	Volume	Length	Weight	Quality			Minimun	Replacement Blade
					12.9	8.8	5.6		
LARZEP	kN	cm ³	mm	kg				ASTM A 194	LARZEP
CN0024	135	-	471	4,8	M24 7/8"	M27 1"	M27 1"	M12 1/2"	CRN24
CN0152	437	296	368	14,0	M52 2"	M52 2"	M52 2"	M27 1"	CRN33-52
CN0180	1.134	479	435	40,0	M80 3"	M80 3"	M80 3"	M68 2-1/2"	CRN0180
CN0224	135	47	207	3,7	M24 7/8"	M24 7/8"	M24 7/8"	M10 3/8"	CRN0224
CN0233	345	156	270	12,2	M33 2"	M36 1-1/4"	M36 1-1/4"	M24 7/8"	CRN0233
CN0324	135	49	296	5,0	-	M24 7/8"	M24 7/8"	M10 3/8"	CRN0324



HAB1102

Battery Powered Portable Hydraulic Pump



P.101

Z12107

Air Hydraulic Pump



P.86

HYDRAULIC NUT SPLITTERS



Type

CN

Capacity

13 - 113 Tn

Nut

M10 - M80 mm

Max. pressure

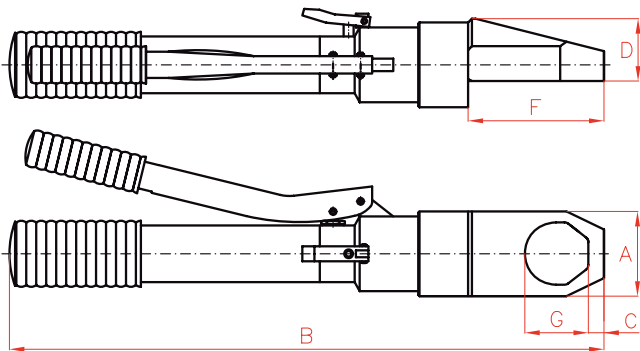
700 bar



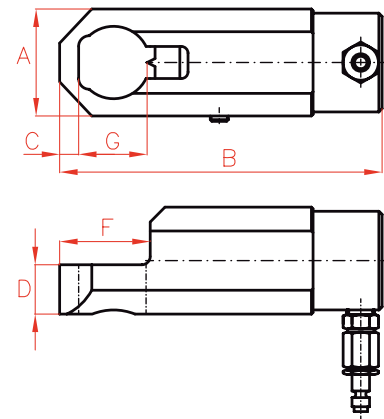
WARNING

The tool cuts materials with a resistance lower than 500 N/mm² and deforms all materials up to a resistance of 1.250 N/mm².

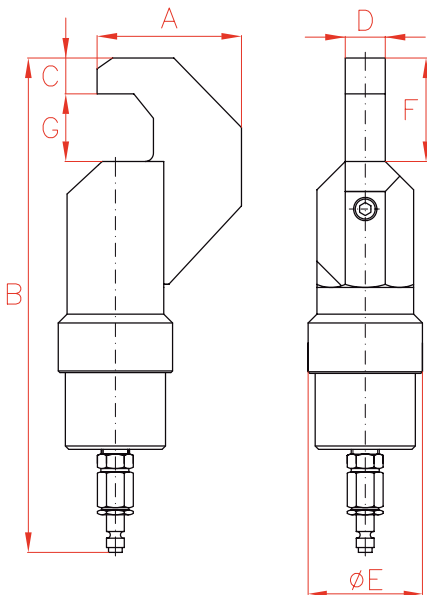
CN0024



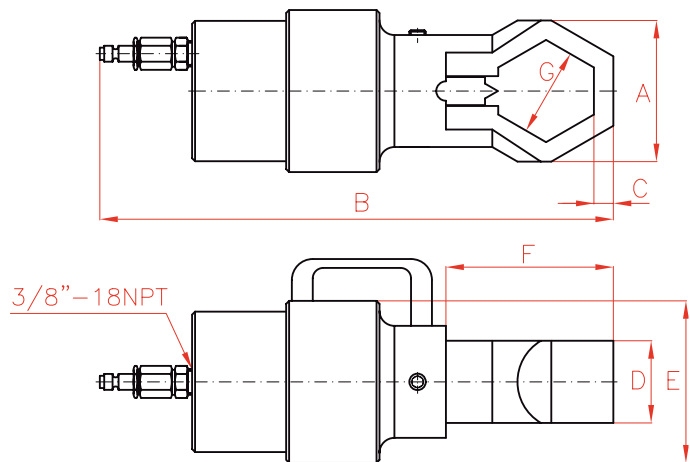
CN0224-CN0233



CN0324



CN0152-CN0180



Model	A	B	C	D	E	F	G
LARZEP	mm	mm	mm	mm	mm	mm	mm
CN0024	68	471	12,5	51	-	108	48
CN0152	131	368	27	55	120	136	83
CN0180	185	435	37	90	200	202	120
CN0224	65	207	12	30	-	56	40
CN0233	106	270	24	55	-	84	59
CN0324	87	296	22	24	69	62	38

Model	Nut	Across Flats
LARZEP	ASTM A 194	mm
CN0024	M12 - M27	19 - 41
CN0152	M27 - M52	41 - 80
CN0180	M68 - M80	100 - 115
CN0224	M10 - M24	17 - 36
CN0233	M24 - M36	36 - 55
CN0324	M10 - M24	17 - 36