

## PRESSURE GAUGES



- ✓ High accuracy gauges,  $\pm 1,6$  % full scale.
- ✓ Essential for monitoring working pressure or force.
- ✓ Glycerine filled gauges.
- ✓ Available as system pressure gauges or as dual scale gauges to measure load on specific cylinders.
- ✓ Digital pressure gauge AVD10008.



PRESSURE GAUGES



Type **AV - AVD - AY**

Capacity **10 - 60 ton**

Max. pressure **0 - 1.000 bar**

**AZ1**  
FITTINGS AND MANIFOLDS



P.92


**AP2**  
Hoses

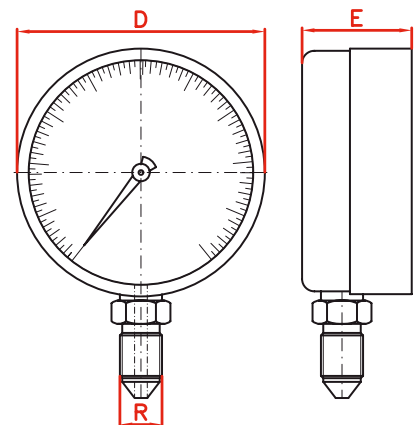


P.84



Digital pressure gauge: **AVD10008**  
Thread: 1/4"-BSP  
Gauge adaptor: **AZ1507**

 **WARNING**  
Do not exceed the 70% of the nominal capacity of the gauge.



Used with	Model	End of Scale			Scale	D	E	R	Gauge Adaptor
		ton	bar	psi					
All Cylinders	<b>AV10007</b>	-	1.000	14.500	50 bar / 500 psi	63	31	1/4"-NPT	AZ1502
	<b>AV10011</b>	-	1.000	14.500	20 bar / 200 psi	80	35	1/2"-NPT	AZ1504
	<b>AVD10008</b>	-	1.000	14.500	0,1	80	33	1/4"-NPT	AZ1507
Press 10 ton	<b>AY01008</b>	10	-	-	0,5	80	35	3/8"-BSP	AZ1501
Press 20 ton	<b>AY02008</b>	20	-	-	0,5	80	35	3/8"-BSP	AZ1501
Press 30 ton	<b>AY03008</b>	30	-	-	2	80	35	3/8"-BSP	AZ1501
Press 60 ton	<b>AY06010</b>	60	-	-	2	100	35	3/8"-BSP	AZ1501