

LARZEP®

HYDRAULIC

GB

Operating Instructions

E

Instrucciones de uso

ZR12107

ZR14007

ZR17007



Cod. 193553063 - v.6 - UPD ZR1209

Hydraulic Pumps pneumatically operated
Bombas hidráulicas neumáticas



Read carefully this manual before installing and using the pump.
Lea atentamente este manual antes de la instalación y el uso de la bomba.

Fig.1a

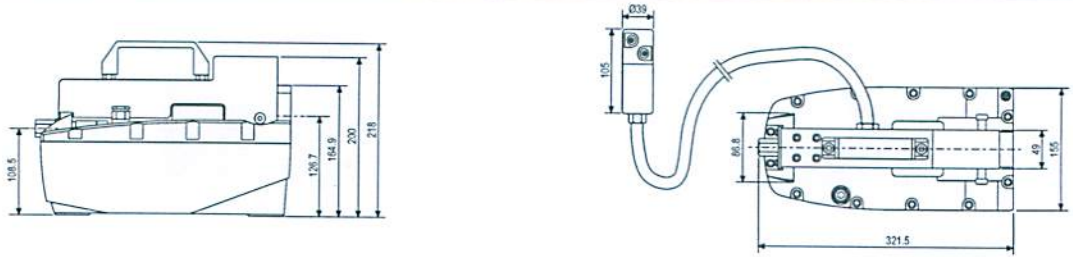


Fig.1b

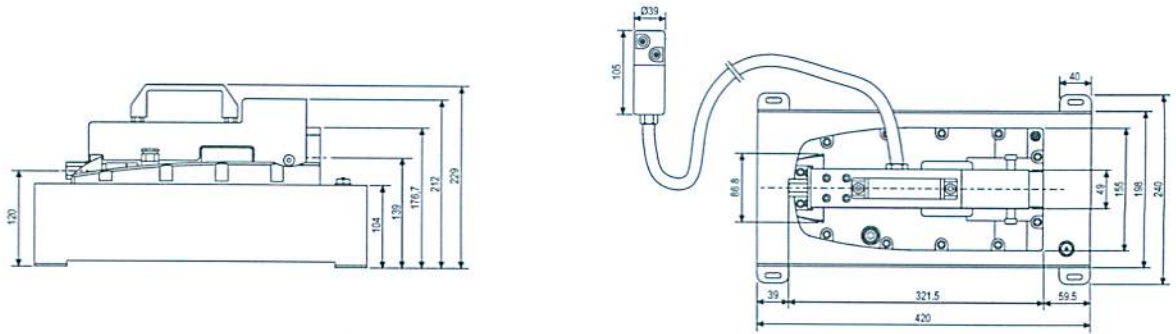


Fig.1c

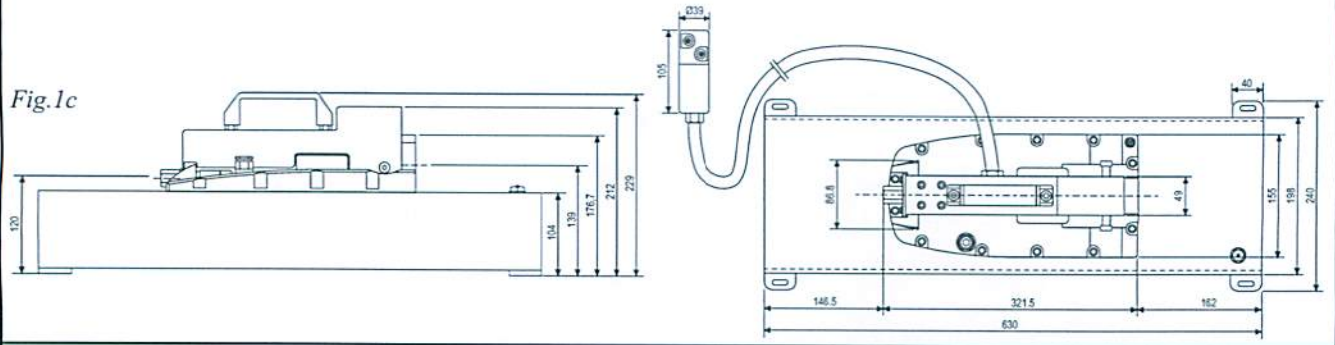


Fig.2a

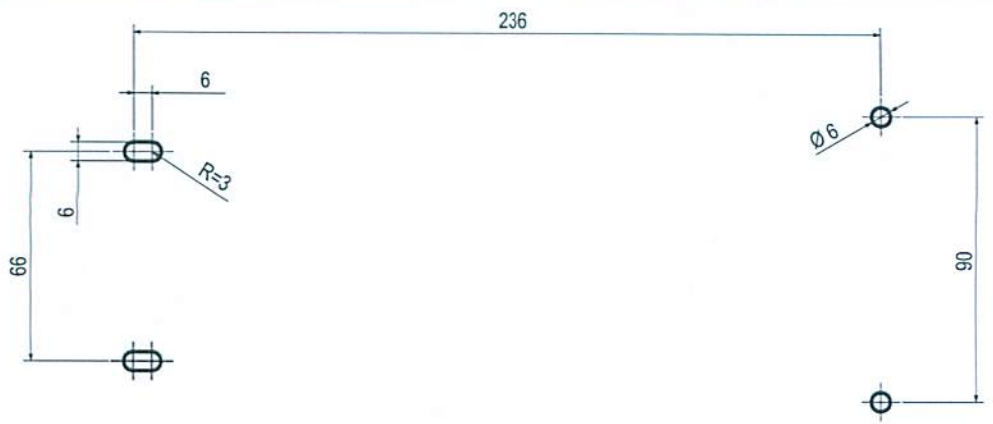


Fig.2b

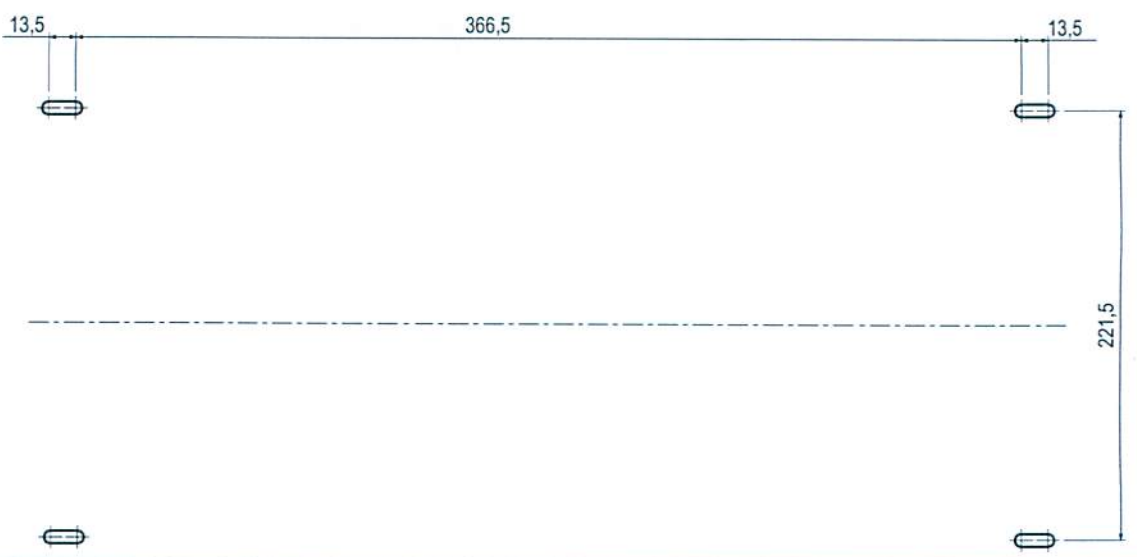


Fig.2c

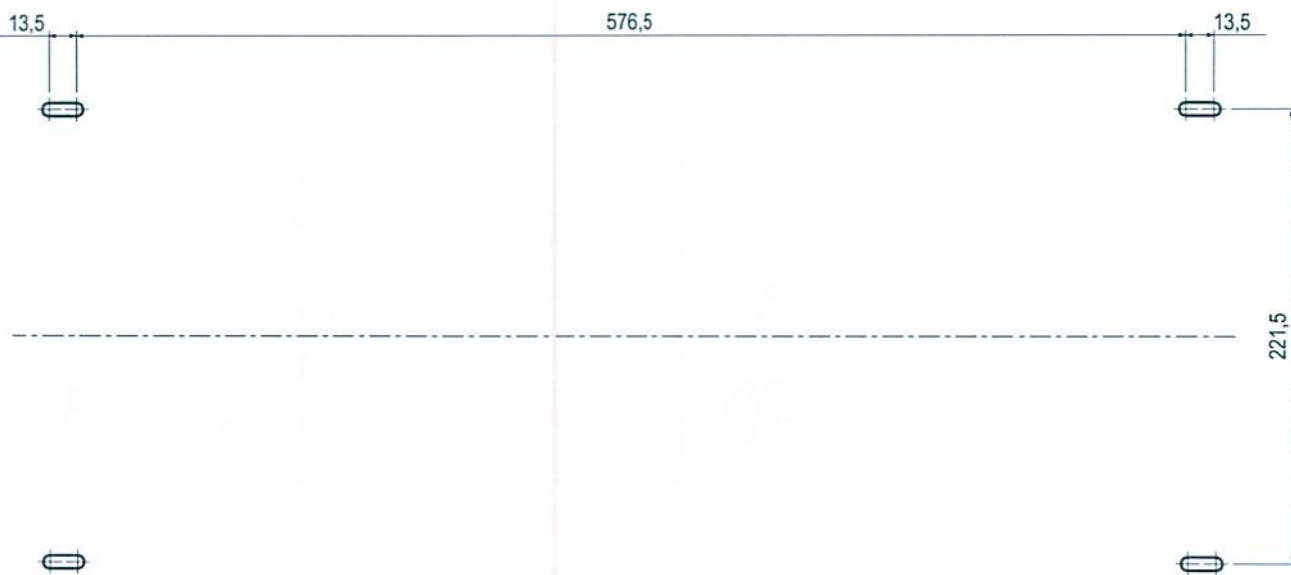


Fig.3

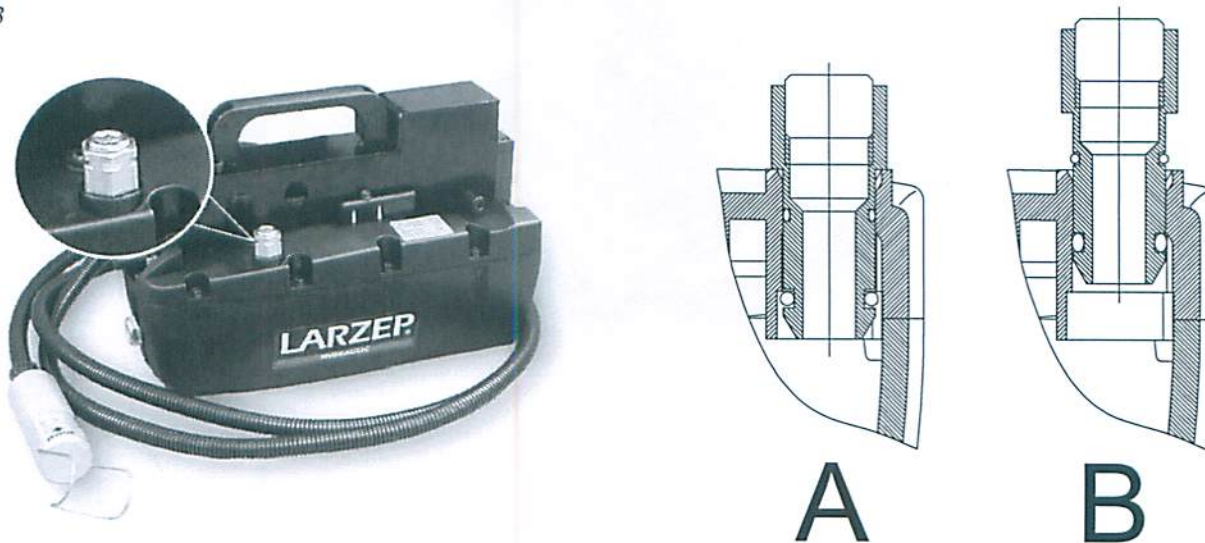


Fig.4

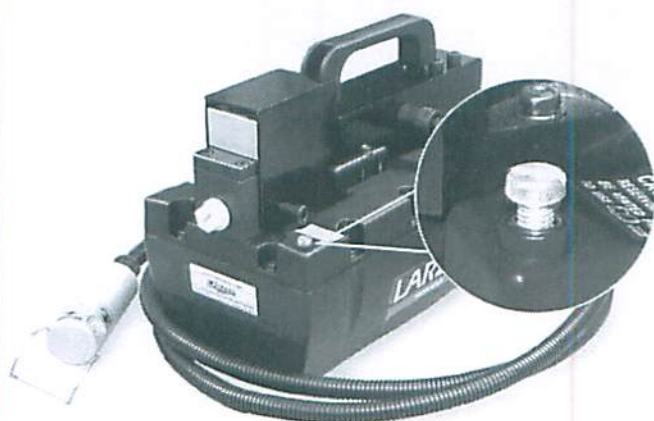


Fig.5



Fig.6

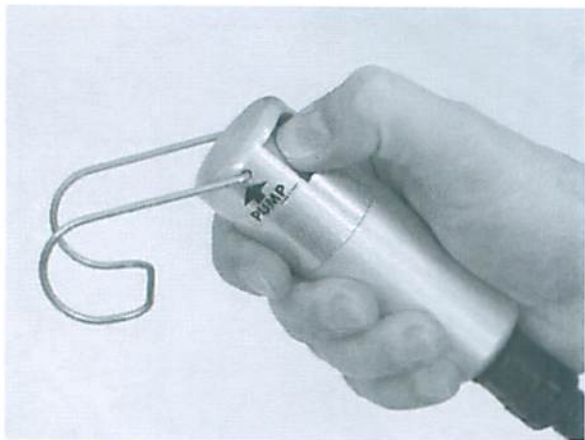


Fig.7

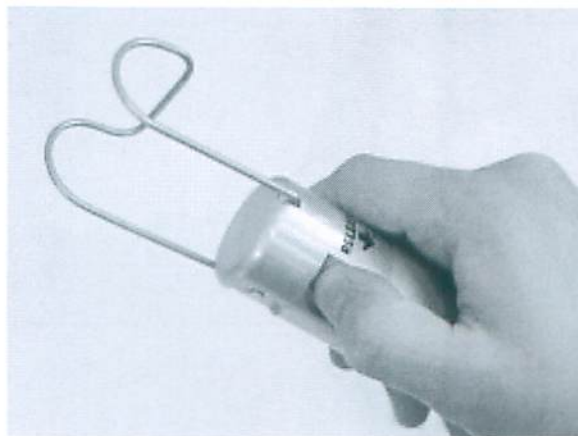


Fig.8

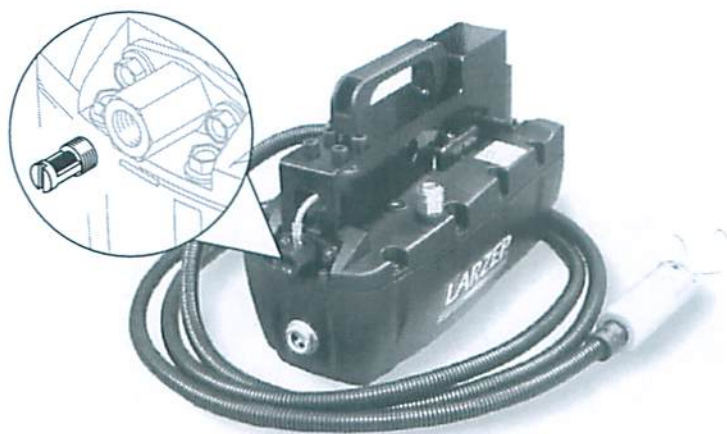


Fig.9a

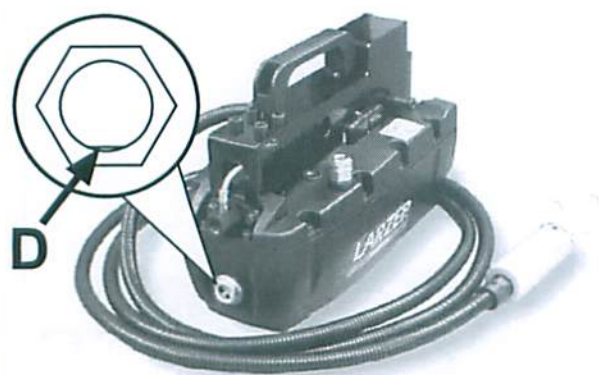
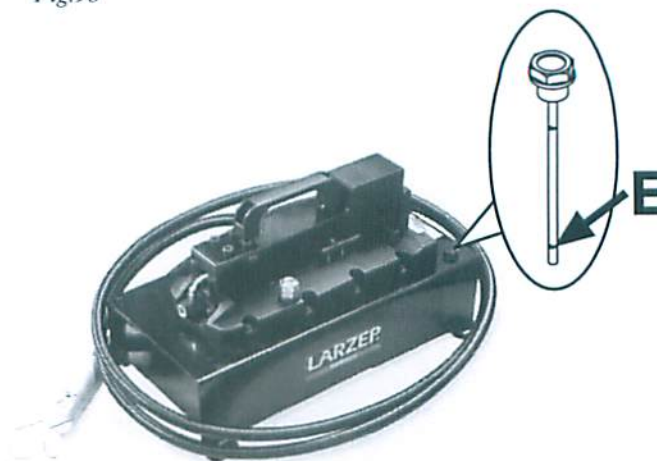


Fig.9b



INDEX

GENERAL PRECAUTIONS	6
1 TRANSPORT, STORAGE AND UNPACKING	6
2 DESCRIPTION	7
3 SAFETY	8
4 TECHNICAL SPECIFICATIONS	8
5 INSTALLATION AND START-UP	9
5.1 Filling the reservoir (if the pump is supplied without oil)	9
5.2 Start-up	9
5.2.1 Start-up - horizontal operation	9
5.2.2 Start-up - vertical operation	9
5.3 Connecting the oil return line (use with a double acting cylinder)	9
5.4 Connecting the compressed air line	9
6 OPERATION	10
7 MAINTENANCE	10
7.1 Checking connections	10
7.2 Cleaning the air filter	10
7.3.1 Checking the hydraulic oil on the 2.4 l. pump (ZR12107)	10
7.3.2 Checking the hydraulic oil on the 5 l. and 7 l. pump (ZR14007 - ZR17007)	10
7.4 Hydraulic oil change	10
7.5 Troubleshooting	11
8 SCRAPPING AND DISPOSING OF THE PUMP	11
OPERATION DIAGRAM	12
WARRANTY	12
SPARE PARTS	12

ÍNDICE

ADVERTENCIAS GENERALES	13
1 TRANSPORTE, ALMACENAMIENTO Y DESEMBALAJE	13
2 DESCRIPCIÓN	14
3 SEGURIDAD	15
4 CARACTERÍSTICAS TÉCNICAS	15
5 INSTALACIÓN Y PUESTA EN FUNCIÓN	16
5.1 Llenado del depósito del aceite (si la bomba se suministra vacía)	16
5.2 Puesta en función de la bomba	16
5.2.1 Puesta en función de la bomba colocada horizontalmente	16
5.2.2 Puesta en función de la bomba colocada verticalmente	16
5.3 Conexión del tubo de recuperación de aceite (para uso de doble efecto)	16
5.4 Conexión del aire comprimido	16
6 USO	17
7 MANTENIMIENTO	17
7.1 Verificación de las conexiones	17
7.2 Limpieza del filtro del aire	17
7.3.1 Control del aceite hidráulico en la bomba con depósito de 2,4 litros (ZR12107).	17
7.3.2 Control del aceite hidráulico en la bomba con depósito de 5 litros y 7 litros (ZR14007 - ZR17007).	17
7.4 Sustitución del aceite hidráulico	17
7.5 Problemas y soluciones	18
8 DESTRUCCIÓN Y ELIMINACIÓN DE LA BOMBA	18
ESQUEMA DE FUNCIONAMIENTO	19
GARANTÍA	19
PIEZAS DE REPUESTO	19

ORIGINAL INSTRUCTIONS

GENERAL PRECAUTIONS

This manual contains important safety information: read carefully before installing and using the pump.

This manual must always accompany both the pump and the machine on which the pump is installed, even when pump and machine or the pump alone is sold, loaned or otherwise transferred to other premises.

Before installing the pump and setting it up for operation make sure it has not been damaged during transportation: check that there are no cracks or dents on the body and that there are no traces of oil leaks. If damage is noticed, inform the carrier of the problem immediately. **DO NOT INSTALL THE PUMP**. Ask the manufacturer for instructions.



The manufacturer shall not be held liable for injury to people or animals or damage to property caused by installation and operation of a damaged pump.

1 - TRANSPORT, STORAGE AND UNPACKING

Given the modest weight of the pump, no particular transport precautions are necessary.

Is the pump set aside to be used some time after purchasing, it must be stored in a place adequately protected against weather conditions at a temperature between 10° and 50° C.

Do not stack more than four single boxes containing pumps. If the pumps are delivered packed on pallets, they should be left in their original packing and unpacked immediately prior to use.

Dispose of packing materials in accordance with the laws of the country where the pump is unpacked.

2 - DESCRIPTION

The device supplied is an air-powered hydraulic pump that converts a compressed air supply into a pressurized hydraulic flow (see "Technical specifications" Chapter 4).

The pump can be utilized to power single and double acting hydraulic actuators; in the latter case a directional control valve must be interposed between pump and user.



The use of the pump in potentially explosive environments, if not duly protected (protection not supplied) is strictly forbidden. Possible accumulation of electrostatic charges.



All other uses of the pump shall be considered improper and can cause serious accidents. The manufacturer declines all liability for damages resulting from improper use of the pump.

Ask the manufacturer if in doubt about the correct installation and use of the pump.

Figure 10 shows the main components of the pump.

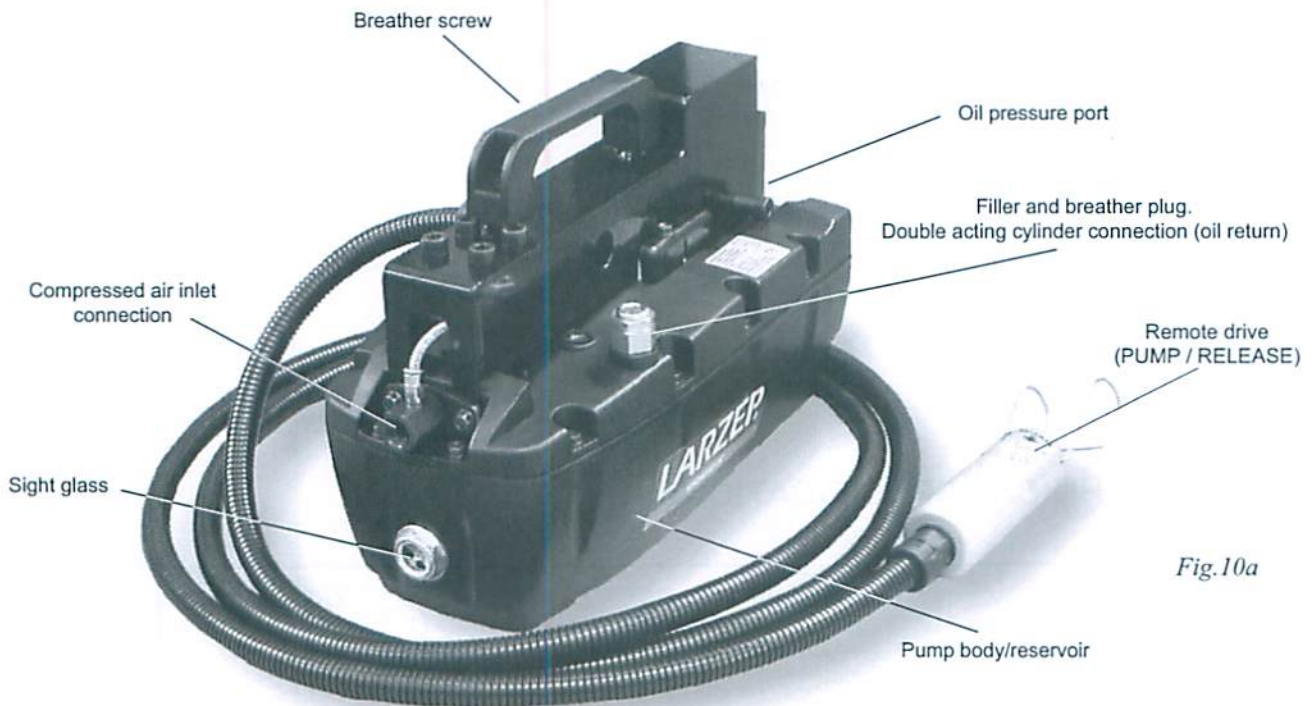


Fig.10a

Fig.10a shown 2.4 litres model (ZR12107)

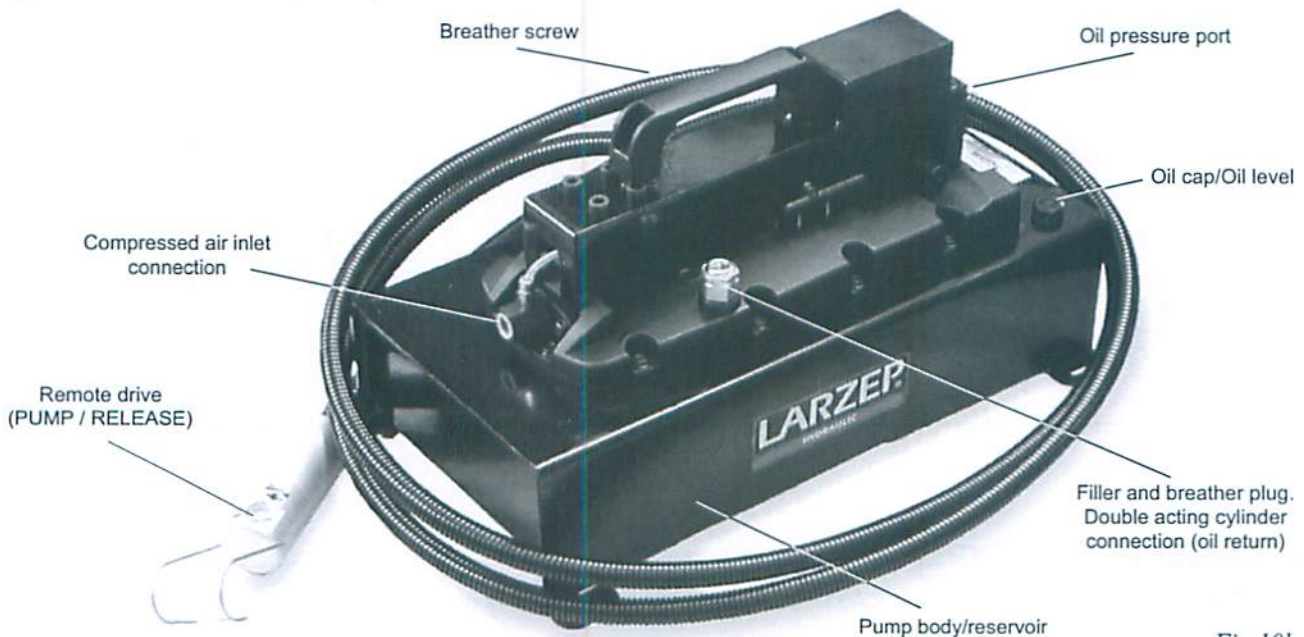


Fig.10b

Fig.10b shown 5 litres model (ZR14007)

3 - SAFETY

Observe all the following safety rules. They are of the maximum importance for your own safety and the safety of others. In addition to the indications in this chapter, observe also the prescriptions in all other sections of the manual.

DO NOT TAMPER WITH THE PROTECTIONS AND SAFETY DEVICES AND DO NOT MODIFY THE PUMP IN ANY WAY TO AVOID CREATING POTENTIALLY HAZARDOUS SITUATIONS FOR WHICH THE OPERATOR OR THE SERVICE TECHNICIAN IS UNPREPARED. REMOVING OR TAMPERING WITH ANY OF THE SAFETY DEVICES ON THE PUMP AUTOMATICALLY INVALIDATES THE WARRANTY AND ABSOLVES THE MANUFACTURER FROM ALL LIABILITY.

- The pump and the machine on which the pump is installed must be used exclusively by people over 18 years of age who have read this manual and have a thorough knowledge of the machine and the pump.
- The pump may be used by people over the age of 16 provided they are supervised by an adult.
- The work area must be kept clear of obstructions so that the pump can be operated in safe conditions. Pay attention to falling objects which could strike the pump treadle and set the pump into operation.
- The work area must be kept clean and the floor must bear no traces of oil, grease or any other slippery or corrosive substances.
- Keep the pump well clear of heat sources, naked flames and sparks. Maximum operating temperature of the pump is 50° C.
- Work clothes must be close fitting and buttoned up. Wear the protective clothing stipulated in the place where the pump is installed.
- Do not disconnect the air supply hose or the hydraulic oil hose until you are sure that the circuits are not pressurized.
- When connecting the pump follow the prescriptions in chapter 5 "Installation and start-up" and always use certified hoses and couplings.
- If the pump develops a fault, do not attempt to repair it unassisted. Disconnect the compressed air supply, switch off the machine to which the pump is connected and call a maintenance technician.
- Do not arbitrarily move the pump to different locations. The pump must be used in the position designated by the manufacturer of the machine to which it is connected.

4 - TECHNICAL SPECIFICATIONS

Model	ZR12107 2.4 Lt.	ZR14007 5 Lt.	ZR17007 7 Lt
Air inlet pressure (bar)*	2.8 ÷ 10		
Maximum working pressure (bar)*	700		
Maximum rated flow (l/min)*	0.8		
Air connection (standard)*	1/4" NPT		
Oil connection (standard)*	3/8" NPT		
Max. weight without oil (kg)	4.65	9	11.6
Reservoir capacity in horizontal position (l)	2.4 / 2.1	5 / 4.5	8 / 6.9
Reservoir capacity / usable capacity in vertical position (l)	2.2 / 1.5	3.5 / 2	5.5 / 2
Dimensions (mm)	Pump dimensions are shown on page 2, figs. 1a & 1b		
Noise level	75 dB(A) / 1m		

(*) With 7 bar compressed air supply pressure
 (**) Different connection types are available on request

RECOMMENDED OIL TYPES

MOBIL DTE 11 - SHELL TELLUS OIL T 15 - CASTROL HYPIN AWH15 - or equivalent

5 - INSTALLATION AND START-UP

This chapter describes the methods of installation of the pump. The method here recommended will give excellent results. The purchaser of the pump, i.e. the manufacturer of the machine on which the pump will be installed, may opt for different types of installation, using brackets or any other types of accessories considered to be necessary. **HOWEVER, THE ORIGINAL SHAPE AND ATTACHMENT OF THE PUMP MUST NOT BE MODIFIED, THE PROTECTIONS APPLIED TO THE PUMP MUST NOT BE TAMPERED WITH AND NO ACTION MUST BE TAKEN THAT COULD MAKE THE PUMP POTENTIALLY DANGEROUS.** If these instructions are disregarded, the person who is responsible for the modifications automatically assumes full liability for any accidents that may occur during use of the pump.

The pump can be installed in a horizontal or vertical position.

Fig.2 on page 2 shows the drilling template to use when designing the pump baseplate.(fig.2a -> 2.4 l. / fig.2b -> 5 l. / fig.2c -> 7 l.).

IMPORTANT: the fixing hole depth for pump with 2.4 litres reservoir is 20 mm. This length must not be exceeded.

The fixing screws must be self-tapping type for plastic - Ø 5 - UNI 9707.

5.1 Filling the reservoir (if the pump is supplied without oil)

Page 7 shows the oil quantities required to fill the pump reservoir. The table also shows the actual usable oil capacities.

Use the oil types specified on page 7. The use of oil with different characteristics can result in serious damage to the pump and render it unsuitable for use. **THE MANUFACTURER SHALL NOT BE HELD RESPONSIBLE FOR INJURY TO PEOPLE OR DAMAGE TO PROPERTY CAUSED BY THE USE OF UNSUITABLE OR EXHAUST OIL. DAMAGE TO THE PUMP RESULTING FROM THE ABOVE MENTIONED CAUSES IS NOT COVERED BY WARRANTY.**

- Use a slotted tip screwdriver to remove the filler plug (fig.10, page 7)
- Pour the correct quantity of oil into the reservoir (refer to the table on page 8)
- Clean the edges of the filler opening with a clean cloth and refit the plug, pressing it down fully.

5.2 - Start-up



The installation of a device that intercepts the pneumatic air supply is recommended to rapidly disconnect the pump from pneumatic circuit in case of need or maintenance.

5.2.1 - Start-up - horizontal operation

- Connect the hydraulic pressure hose (fig.10, page 7). The hose must be fitted with a 3/8" NPTF coupling after binding the thread with Teflon tape.
- Unscrew the breather screw (fig.4, page 3) by three or four turns using an appropriate screwdriver

5.2.2 - Start-up - vertical operation

- Connect the hydraulic pressure hose (fig.10, page 7). The hose must be fitted with a 3/8" NPTF coupling after binding the thread with Teflon tape.
- Use a slotted tip screwdriver to extract the breather plug to position "B" (fig.3, page 3).

5.3 - Connecting the oil return line (use with a double acting cylinder)

WARNING: the operations described below must be carried out with the pump in a horizontal position. The pump can be mounted vertically only when the operations are concluded.

- If the breather plug is in its extracted position, press it fully down to position "A" (fig.3, page 3).
- Unscrew the threaded insert from the centre of the breather plug (fig.5, page 3) and connect a hose with a 3/8" NPTF fitting after binding the thread with Teflon tape.

5.4 - Connecting the compressed air line

- Select a quick coupler that is suitable for your air line, bind the thread with Teflon tape, and then screw it into the compressed air inlet connection (fig.10, page 7)
- The quick coupler must be connected to an air line supplying compressed air at between 2.8 and 10 bar (see "Technical specifications", page 8).

6 - OPERATION



The use of the pump in potentially explosive environments, if not duly protected (protection not supplied) is strictly forbidden. Possible accumulation of electrostatic charges.

The pump is extremely simple to use:

- To activate the pump press the "PUMP" push-button on the remote drive (fig.6, page 4). The pump will start to deliver pressurized oil and thereby cause the connected machine to operate.
- When the push-button is released, the pump stops but the pressure is maintained on the oil side so that the connected machine cylinder holds the load in the position it has reached.
- To return the pressure to zero and hence retract the machine cylinder to its starting position, press the "RELEASE" push-button on the remote drive (fig.7, page 4).

WARNING: immediately after the pump installation, the circuit may contain air locks which prevent pressurization. If the pump is unable to pressurize the oil circuit, proceed as described below.

- If the pump is mounted vertically, disassemble it and place it in a horizontal position on the floor
- Press the "PUMP" and the "RELEASE" push-button at the same time for about 15 seconds.

The pump should now work correctly. If you still have problems, repeat the above mentioned procedure.

7 - MAINTENANCE

The routine maintenance work described below must be performed exclusively by a skilled technician who has a thorough knowledge of the pump and its operation and who has read this manual completely. Maintenance must be carried out with maximum caution to avoid possible accidents. This chapter describes the only maintenance procedures permitted. **Execution of any unauthorised maintenance work will automatically invalidate the warranty and free the manufacturer from all liability.**



Before any operation of maintenance the pump must be disconnected from the pneumatic circuit. Then press the "RELEASE" push-button to unload the oil pressure in the hydraulic circuit.

7.1 - Checking connections

Check the hydraulic and pneumatic connections once a week. Ensure that the connections on the pump are screwed down tightly and show no signs of breakage, cracks or other damage. Ensure that the hoses are not damaged in any way (cuts, abrasion, cracks, etc.).

7.2 - Cleaning the air filter

There is an *air filter inside the air inlet connection* (fig.8, page 4).

- Use a slotted tip screwdriver of the appropriate size to unscrew the filter from the air inlet connection until it is extracted.
- Clean the filter with compressed air and then refit and screw it into position. Do not over-tighten the filter or damage may ensue.
- Reconnect the air line quick coupler after binding the thread with Teflon tape.

If the air filter is excessively contaminated or damaged, it must be renewed. Order a new filter from the manufacturer, referring to the list of spare parts at the end of this manual.

7.3.1 - Checking the hydraulic oil on the 2.4 l. pump (ZR12107)

Periodically check that the pump contains the correct quantity of hydraulic oil by checking the level on the sight glass (fig.9a, page 4). If the oil level, with cylinder closed, is below minimum (D, fig.9a), refill using the recommended types of oil on page 8.

7.3.2 - Checking the hydraulic oil on the 5 l. and 7 l. pump (ZR14007 - ZR17007)

Periodically check the oil level, which must be between the two notches on the oil cap dipstick (fig.9b, page 4). If the oil level, with cylinder closed, is below minimum (E, fig.9b), refill using the recommended types of oil on page 8.

7.4 - Hydraulic oil change

Change the oil at intervals of 250 duty hours. This operation must be performed when the cylinder is fully retracted:

- If the pump is mounted vertically, disassemble it and position it horizontally.
- Use a slotted tip screwdriver to remove the filler plug (fig.10, page 7).
- Empty the pump of oil by turning it upside down over a suitable container.
- Allow all the oil to flow into the container and then fill the pump with the quantity and type of new oil specified on page 8
- Clean the filler opening with a clean cloth and refit the plug, pressing it fully down or, if necessary, to the partially inserted breather position.

7.5 - Troubleshooting

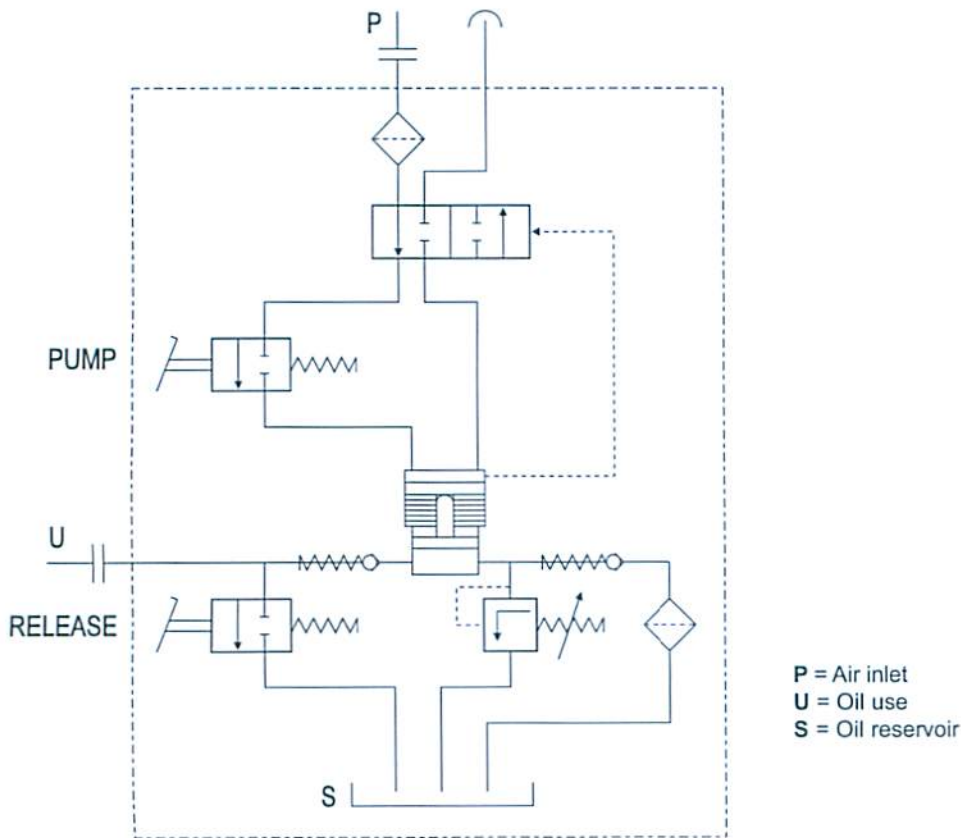
The following chart describes the main problems that could occur during operation of the pump, together with an indication of the appropriate corrective action. If the prescribed action fails to solve the problem, contact the manufacturer.

PROBLEM	POSSIBLE CAUSE	CORRECTIVE ACTION
Pump cannot be started	Compressed air line closed or clogged	Check compressed air supply to pump
Pump stops working under load	Insufficient air pressure	Check compressed air supply to pump is between 2.8 and 10 bar
	Air filter dirty or clogged	Clean or renew
Pump operates but no pressurized oil is delivered	Oil leak in the main hydraulic circuit	Check the circuit for leaks and repair as necessary
	Pump internal leak	Check for leaks and return pump to manufacturer for repair
	Low oil level	Check level and top up as necessary
Pump fails to reach maximum pressure	Insufficient air pressure	Check compressed air supply to pump is between 2.8 and 10 bar
	Internal relief valve incorrectly set	Contact the manufacturer
	Oil leak in the main hydraulic circuit	Check the circuit for leaks and repair as necessary
Pump delivers pressurized oil but load is not lifted	Excess load	Reduce
	Oil circulation fault	Check if pipelines are obstructed or if cylinder is working correctly
Piston retracts although "RELEASE" push-button is not pressed	Oil leak in the main hydraulic circuit	Check the circuit for leaks and repair as necessary
	Pump internal fault	Check for leaks and ask the manufacturer
Piston fails to perform retract stroke (single acting cylinder)	Oil pressure line obstructed or coupling incorrectly connected	Check oil pressure line
	If piston is designed to return under gravity, ensure load is sufficient.	Increase load on cylinder
	Cylinder spring broken	Repair
	Cylinder release valve not working	Repair cylinder
Piston fails to perform retract stroke (double acting cylinder)	Oil pressure line obstructed or coupling incorrectly connected	Check oil pressure line
	Cylinder release valve not working	Repair cylinder
Pump flow rate insufficient	Insufficient air pressure	Check compressed air supply to pump is between 2.8 and 10 bar
	Air filter dirty or clogged	Clean or renew
	Reservoir breather plug or screw not opened	Open breather plug or screw as described in chapter 5, page 9.

8 - SCRAPPING AND DISPOSING OF THE PUMP

If the pump is no longer required for duty, empty the oil and dispose of it in accordance with the law of your country. The same procedure must be followed for other parts of the pump, in observance of the type of material (plastics or metal)

OPERATION DIAGRAM



WARRANTY

The pump is guaranteed against material and manufacturing defects according to our standard terms and conditions for export valid at the time of placing the order.

LIMITATIONS:

- 1) The dealer must get authorization from the manufacturer before carrying out any repair work on equipment still under warranty.
- 2) The warranty is limited only to parts acknowledged by the manufacturer as being defective.
- 3) Transportation expenses will not be refunded for repairs carried out under warranty.
- 4) Any products that have not been maintained with the correct routine maintenance procedures, that have been used improperly, involved in accidents or subject to unauthorised repairs or alterations of any kind will not be covered by the warranty in any way.

SPARE PARTS

HOW TO ORDER SPARE PARTS

When ordering spare parts, always provide the following:

- 1) Part number
- 2) Part description
- 3) Pump type
- 4) Serial number

TRADUCCIÓN DE LAS INSTRUCCIONES ORIGINALES

ADVERTENCIAS GENERALES

Antes de la instalación y el uso de esta bomba lean atentamente todo lo detallado en el presente manual, ya que el mismo contiene advertencias importantes para su seguridad.

Este manual deberá acompañar siempre a la bomba y a la máquina en la que se halle instalada, incluso en caso de venta o cesión de la misma.

Antes de instalar y hacer operativa la bomba, comprueben que la misma no haya sufrido daños durante el transporte, que el cuerpo no presente grietas o abolladuras y que no existan pérdidas de aceite de la bomba. En caso contrario, notifiquen al transportista lo advertido, **NO INSTALEN LA BOMBA** y contacten al fabricante para recibir información al respecto.



El fabricante no responderá de los daños a personas, animales, cosas o maquinarias provocados por el montaje y el uso de una bomba estropeada.

1 – TRANSPORTE, ALMACENAMIENTO Y DESEMBALAJE

El peso de la bomba es reducido, por lo que no deberán adoptarse medidas especiales de transporte.

El almacenamiento de la bomba, en caso de que ésta sea puesta en el almacén y utilizada bastante tiempo después de la compra, deberá efectuarse en locales protegidos adecuadamente contra los agentes atmosféricos y en los que la temperatura esté comprendida entre 10° y 50° Centígrados.

La estructura de la bomba y de su embalaje admite un apilamiento máximo de cuatro cajas individuales. En caso de que las bombas se entreguen ya embaladas sobre palets, se recomienda quitarlas del embalaje original sólo en el momento de su montaje.

Eliminar el embalaje vacío siguiendo lo prescrito por la ley del país en el que ese lleve a cabo dicha operación.

2 - DESCRIPCIÓN

El aparato suministrado es una bomba que permite conseguir un caudal hidráulico bajo presión (véase cap. 4 "Características técnicas") de una alimentación neumática.

Esta bomba puede alimentar directamente dispositivos hidráulicos de simple o de doble efecto, interponiendo para el segundo un distribuidor entre la bomba y el equipo utilizado.



Queda terminantemente prohibido el uso de la bomba en ambientes potencialmente explosivos, a no ser que esta sea debidamente protegida (La protección no se suministra con la bomba). Posible acumulación de cargas electrostáticas.



Cualquier otro uso de la bomba deberá considerarse inadecuado, pudiendo originar serios accidentes. El fabricante declina toda responsabilidad por los daños ocasionados como consecuencia de un uso incorrecto de la bomba.

El fabricante estará a su disposición para aclarar cualquier duda respecto a la instalación o al uso correcto de la bomba.

La Fig.10 ilustra los distintos componentes de la bomba.

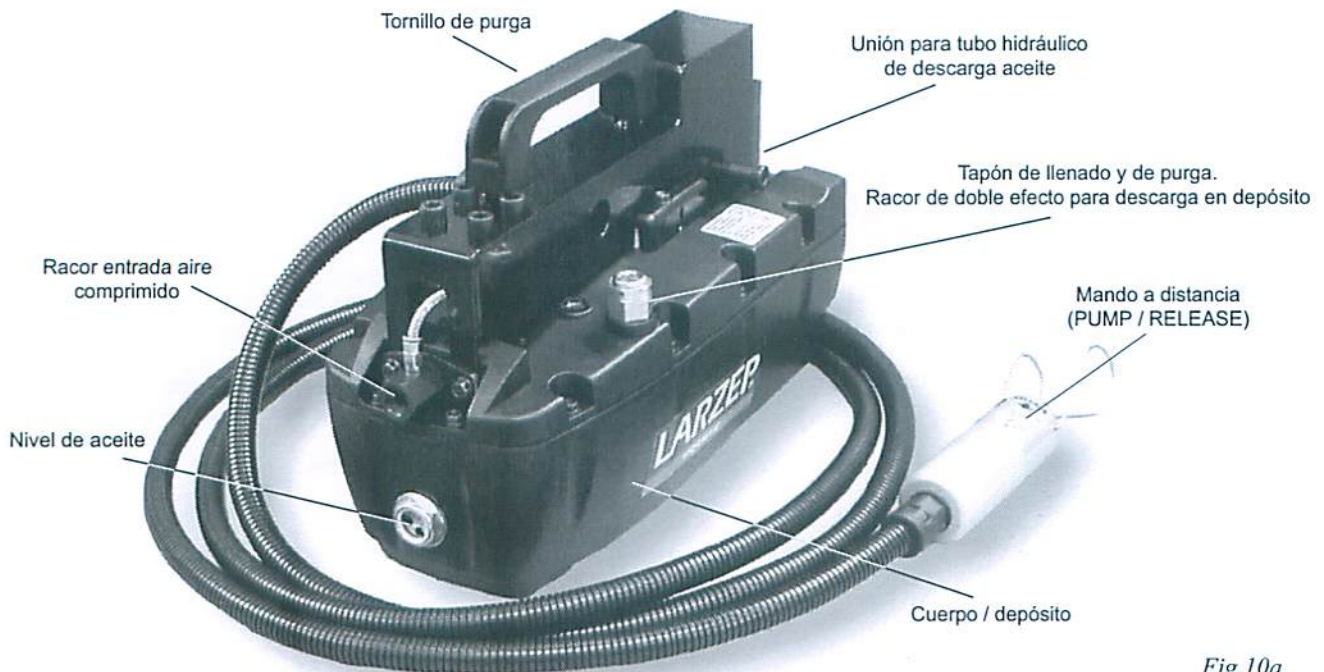


Fig.10a

La Fig.10a ilustra la bomba con depósito de 2,4 litros (ZR12107)

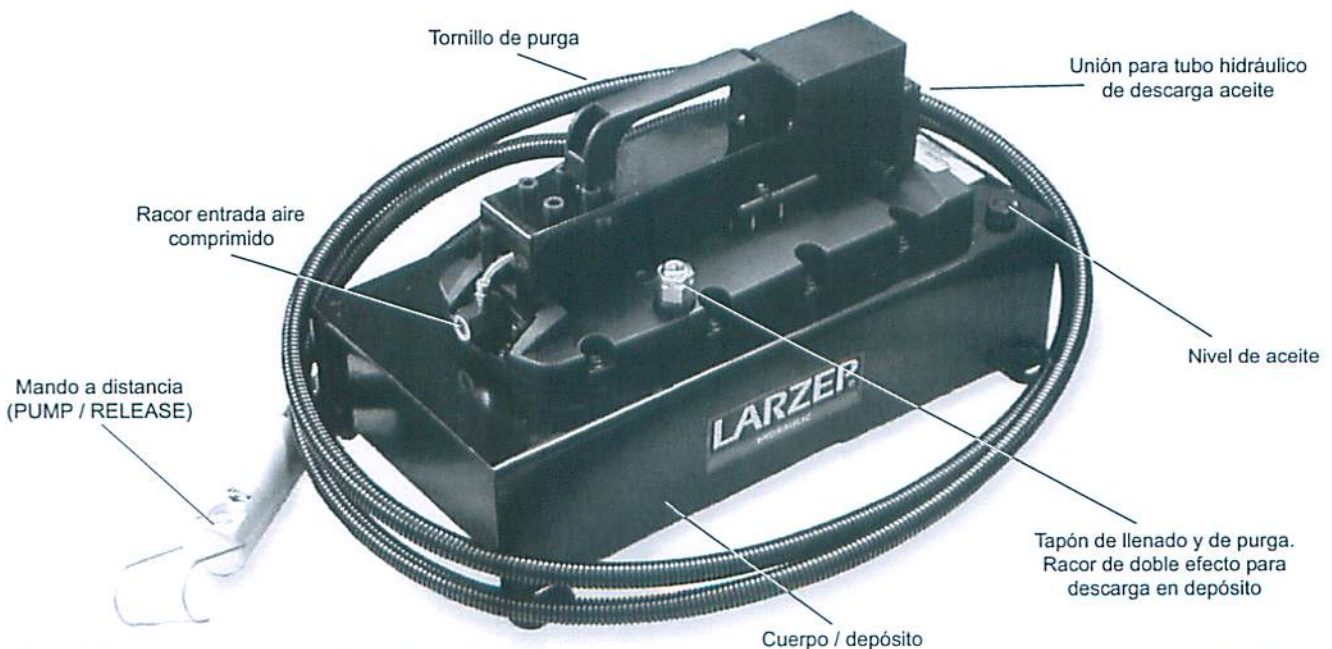


Fig.10b

La Fig.10b ilustra la bomba con depósito de 5 litros (ZR14007)

3 - SEGURIDAD

Sigan atentamente todas las reglas descritas a continuación, ya que son muy importantes para su seguridad y la de las demás personas. Además de las indicaciones detalladas en este capítulo, deberán tener en cuenta todas las demás señaladas en el manual.

NO INTENTEN ALTERAR LAS PROTECCIONES INSTALADAS, NI MODIFIQUEN NINGÚN COMPONENTE DE LA BOMBA, YA QUE PODRÍAN CREARSE SITUACIONES DE PELIGRO PARA LAS QUE NI EL OPERADOR NI EL ENCARGADO DEL MANTENIMIENTO ESTÁN PREPARADOS.

LA ELIMINACIÓN O LA ALTERACIÓN DE CUALQUIER DISPOSITIVO DE SEGURIDAD APLICADO EN LA BOMBA HARÁ QUE LA GARANTÍA PIERDA SU VALIDEZ DE INMEDIATO Y EXIMIRÁ AL FABRICANTE DE TODA RESPONSABILIDAD.

- El uso de la bomba y de la máquina en la que se halla instalada la misma está reservado a personas mayores de edad, que conozcan bien la máquina y la bomba y que hayan leído este manual en su totalidad.
- Estará consentido el uso a menores de edad, en cualquier caso de edad no inferior a 16 años, sólo bajo la supervisión de un mayor de edad habilitado para el uso.
- Mantengan libre de obstáculos la zona de trabajo, con el fin de poder maniobrar correctamente y de forma segura la bomba. Presten atención a eventuales objetos que, al caer, pudieran accionar la bomba inadvertidamente.
- El área de trabajo deberá estar limpia, evitando especialmente la presencia de aceites, grasa u otras sustancias resbaladizas o corrosivas.
- Mantengan la bomba lejos de zonas de calor excesivo, llamas vivas o chispas. La temperatura máxima de uso no deberá superar los 50° Centígrados.
- No trabajen con ropas anchas o desatadas. Pónganse todas las prendas de protección exigidas por el responsable de seguridad.
- En caso de ser necesario, desconecten las tuberías de alimentación y del circuito hidráulico; asegúrense de que no haya presión.
- Para acoplar la bomba sigan minuciosamente las indicaciones del capítulo 5 "Instalación y puesta en función" y utilicen siempre tubos y racores certificados.
- En caso de avería, no intenten desbloquear o reparar la bomba solos. Desconecten la bomba de la alimentación, apaguen la máquina a la que se halla conectada y contacten al encargado del mantenimiento.
- No cambien la bomba de puesto de manera arbitraria. La bomba deberá usarse en la posición dispuesta por el fabricante de la máquina en la que está aplicada.

4- CARACTERÍSTICAS TÉCNICAS

Modelo	ZR12107	ZR14007	ZR17007
	2,5 Lt.	5 Lt.	7 Lt.
Presión entrada aire (bares)*	2,8 ÷ 10		
Presión máxima de utilización (bares)*	700		
Caudal máx. nominal (l/min.)•	0,8		
Unión aire (estándar)*	1/4" NPT		
Unión aceite (estándar)*	3/8" NPT		
Peso máx. sin aceite (kg)	4,65	9	11,6
Contenido aceite en pos. horizontal /cantidad utilizable (l)	2,4 / 2,1	5 / 4,5	8 / 6,9
Contenido aceite en pos. vertical /cantidad utilizable (l)	2,2 / 1,5	3,5 / 2	5,5 / 2
Dimensiones (mm)	Las dimensiones de las bombas se indican en las figuras 1a y 1b de la pág. 2		
Ruido	75 dB(A) / 1m		

(*) Con una presión de alimentación de 7 bares
 (*) Pueden suministrarse bajo petición diferentes tipos de unión

TIPOS DE ACEITE A UTILIZAR

MOBIL DTE 11 – SHELL TELLUS OIL T 15 – CASTROL HYSPIN AWH15 – o equivalentes

5 - INSTALACIÓN Y PUESTA EN FUNCIÓN

En este capítulo se describen las modalidades de instalación de la bomba. Dichas indicaciones son aconsejadas como óptimas. El comprador de la bomba, y por lo tanto fabricante de la máquina que lleva montada la misma bomba, podrá optar por diferentes tipos de montaje, utilizando estribos o cualquier otro accesorio que estime oportuno, **PERO SIN VARIAR DE NINGÚN MODO LA FORMA O EL ENGANCHE ORIGINAL DE LA BOMBA Y, EN CUALQUIER CASO, SIN ALTERAR NINGUNA PROTECCIÓN APLICADA A LA MISMA O HACER QUE LA BOMBA PUEDA RESULTAR, DE ALGÚN MODO, PELIGROSA.** Tras dichas modificaciones, él será el único responsable de todos aquellos accidentes que pudieran verificarse durante el uso.

La bomba podrá montarse tanto en posición horizontal como en vertical.

En la fig.2, pág.2 aparece indicada la plantilla a utilizar para hacer la base de fijación de la bomba (fig.2a -> bomba de 2,4 l. / fig.2b -> bomba de 5 l. / fig.2c -> bomba de 7 l.).

ATENCIÓN: en la bomba con depósito de 2,4 litros la profundidad útil de la perforación de fijación es de 20 milímetros y ésta no debe ser superada.

Los tornillos de fijación deben ser modelo autorroscante para el plástico - Ø 5 - UNI 9707.

5.1 – Llenado del depósito del aceite (si la bomba se suministra vacía)

En la pág.15 se indican las cantidades de aceite a verter en el depósito de la bomba con relación a la colocación de la misma bomba. En la misma tabla se indican las cantidades de aceite efectivamente utilizables.

Utilicen los aceites indicados en la pág.15. El uso de aceites con características diferentes puede provocar graves daños a la bomba y hacerla inutilizable.

EL FABRICANTE NO RESPONDERÁ DE LOS DAÑOS ORIGINADOS A PERSONAS, MÁQUINAS O COSAS COMO CONSECUENCIA DEL USO DE ACEITES INAPROPIADOS O DE VACIADOS.

EN CASO DE QUE SE PROVOQUEN DAÑOS A LA BOMBA POR LOS MOTIVOS CITADOS ANTERIORMENTE, LA GARANTÍA PERDERÁ INMEDIATAMENTE SU VALIDEZ.

- Con la ayuda de un destornillador de hoja plana, extraigan, hasta quitarlo, el tapón de llenado (fig.10 en pág.14).
- Viertan en el depósito la cantidad exacta de aceite de acuerdo con lo indicado en la tabla de la pág.15.
- Limpian la boca con un trapo limpio y vuelvan a colocar el tapón apretándolo hasta que quede bloqueado.

5.2 - Puesta en función de la bomba



Se recomienda instalar en el circuito neumático un dispositivo que pueda cortar rápidamente el suministro de aire en caso de necesidad, o para tareas de mantenimiento.

5.2.1 – Puesta en función de la bomba colocada horizontalmente

- Conecten el tubo hidráulico de descarga (fig.10 en pág.14). El tubo deberá estar dotado de racor 3/8" NPTF previamente enrollado con cinta de Teflón.
- Desenroscar el tornillo de purga (fig.4 en pág.3) tres o cuatro vueltas utilizando un destornillador adecuado.

5.2.2 – Puesta en función de la bomba colocada verticalmente

- Conecten el tubo hidráulico de descarga (fig.10 en pág.14). El tubo deberá estar dotado de racor 3/8" NPTF previamente enrollado con cinta de Teflón.
- Con la ayuda de un destornillador de hoja plana, extraigan hasta escuchar el primer clic el tapón de purga (pos.B fig.3 en pág.3).

5.3 – Conexión del tubo de recuperación de aceite (para uso de doble efecto)

ATENCIÓN: todas las operaciones descritas seguidamente deberán llevarse a cabo con la bomba colocada horizontalmente. La bomba podrá fijarse verticalmente sólo tras haber finalizado dichas operaciones.

- Si hubiera sido extraído para purgar, aprieten el tapón de purga hasta su completa introducción (pos.A, fig.3 en pág.3).
- Desenrosquen el tornillo sin cabeza de cierre (fig.5 en pág.3) y conecten un tubo con racor 3/8" NPTF previamente enrollado con cinta de Teflón.

5.4 – Conexión del aire comprimido

- Enrosquen en el racor de entrada para el aire comprimido (fig.10 en pág.14) un racor rápido adecuado para su instalación, enrollando previamente la rosca con cinta de Teflón.
- El acoplamiento rápido irá conectado a una línea que pueda suministrar una presión comprendida entre 2,8 y 10 bares (véase tabla "CARACTERÍSTICAS TÉCNICAS" en pág.15).

6 - USO



Queda terminantemente prohibido el uso de la bomba en ambientes potencialmente explosivos, a no ser que esta sea debidamente protegida (La protección no se suministra con la bomba). Posible acumulación de cargas electrostáticas.

El uso de la bomba es muy sencillo:

- Para accionar la bomba, presione el pulsador "PUMP" en el mando a distancia (fig.6 en pág.4). La bomba empezará a generar presión hidráulica y se obtendrá el accionamiento de la máquina.
- Si se lanza el pulsador, la bomba se detendrá pero permanecerá bajo presión, dejando la máquina parada en el punto al que se había llegado.
- Para volver a poner la presión a cero, y por lo tanto volver con la máquina a la posición de reposo, presione el pulsador "RELEASE" en el mando a distancia (fig.7 en pág.4).

ATENCIÓN: puede que, tras la primera instalación de la bomba, el circuito esté descargado por la presencia de burbujas de aire. En caso de que la bomba no logre poner bajo presión el aceite, efectúen lo descrito seguidamente.

- Si la bomba se halla montada en posición vertical, desmóntenla y apóyenla sobre el suelo de forma horizontal.
- Presione el pulsador "PUMP" y el pulsador "RELEASE" en el mismo tiempo, durante unos 15 segundos.

La bomba debería funcionar ahora correctamente. Si no hubiera sido suficiente, podrán repetir la operación.

7 - MANTENIMIENTO

Todas las operaciones de mantenimiento ordinario descritas a continuación deberán ser llevadas a cabo por personal preparado, que conozca bien la bomba y su funcionamiento y que haya leído en su totalidad el presente manual. El mantenimiento deberá efectuarse prestando la máxima atención, con el fin de evitar accidentes. Las operaciones descritas en este capítulo son las únicas que están permitidas. **Toda operación de mantenimiento no autorizada hará que la garantía de la bomba pierda inmediatamente su validez y eximirá al fabricante de cualquier responsabilidad.**



Antes de realizar cualquier operación de mantenimiento la bomba debe desconectarse del circuito neumático. Entonces, presione el pulsador "RELEASE" en el mando a distancia para descargar la presión hidráulica del circuito.

7.1 – Verificación de las conexiones

Verifiquen cada semana las conexiones hidráulicas y neumáticas, comprueben que los racores de la bomba no estén desenroscados o aflojados, ni presenten roturas, grietas o abolladuras. Verifiquen que las tuberías no estén dañadas o cortadas.

7.2 – Limpieza del filtro del aire

En el interior del racor neumático de entrada se halla alojado un filtro para el aire (fig.8 en pág.4).

- Con la ayuda de un destornillador de hoja plana de dimensiones adecuadas, desenrosquen, hasta su completa extracción, el filtro que se haya alojado en el interior del racor de entrada para el aire comprimido.
- Límpiendolo soplando con aire comprimido, luego vuelvan a situarlo en su posición y enrósqenlo en su alojamiento sin forzar excesivamente para evitar que se rompa.
- Vuelvan a conectar el racor de acoplamiento rápido, enrollándolo, antes de enroscarlo, con cinta de Teflón.

En caso de que el filtro estuviera excesivamente sucio o dañado, habrá que sustituirlo por uno nuevo. Realicen el pedido al fabricante tras haber consultado la lista de repuestos que se halla al final de este manual.

7.3.1 – Control del aceite hidráulico en la bomba con depósito de 2,4 litros (ZR12107).

- Controlen de vez en cuando que la bomba contenga la cantidad correcta de aceite hidráulico, verificándola a través del ojo situado en el depósito de la bomba (fig.9a, pág.4). Cuando el nivel del aceite, con el cilindro retraído, alcance el mínimo visible (E en fig.9a), efectúen el llenado utilizando para ello los aceites aconsejados en la pág.15.

7.3.2 – Control del aceite hidráulico en la bomba con depósito de 5 litros y 7 litros (ZR14007 - ZR17007).

- Controlen de vez en cuando el nivel del aceite, que deberá estar comprendido entre las dos muescas situadas en la varilla del tapón del aceite (fig.9b, pág.4). Cuando el nivel del aceite, con el cilindro retraído, alcance el mínimo (F en fig.9b), efectúen el llenado utilizando para ello los aceites aconsejados en la pág.15.

7.4 – Sustitución del aceite hidráulico

Sustituir el aceite cada 250 horas de trabajo; dicha operación deberá efectuarse con el cilindro completamente retraído:

- Si la bomba se halla montada en posición vertical, desmóntenla y colóquenla en horizontal.
- Con la ayuda de un destornillador de hoja plana, extraigan, hasta quitarlo, el tapón de llenado (fig.10 en pág.14).
- Vuelquen la bomba sobre un contenedor que pueda recoger el aceite de vaciado.
- Dejen escurrir todo el aceite contenido en el depósito y rellenen luego la bomba con aceite nuevo. Las cantidades y los tipos de aceite aparecen indicados en la pág.15.
- Limpien la boca con un trapo limpio y vuelvan a colocar el tapón apretándolo hasta bloquearlo o en posición de purga si es necesario.

7.5 – Problemas y soluciones

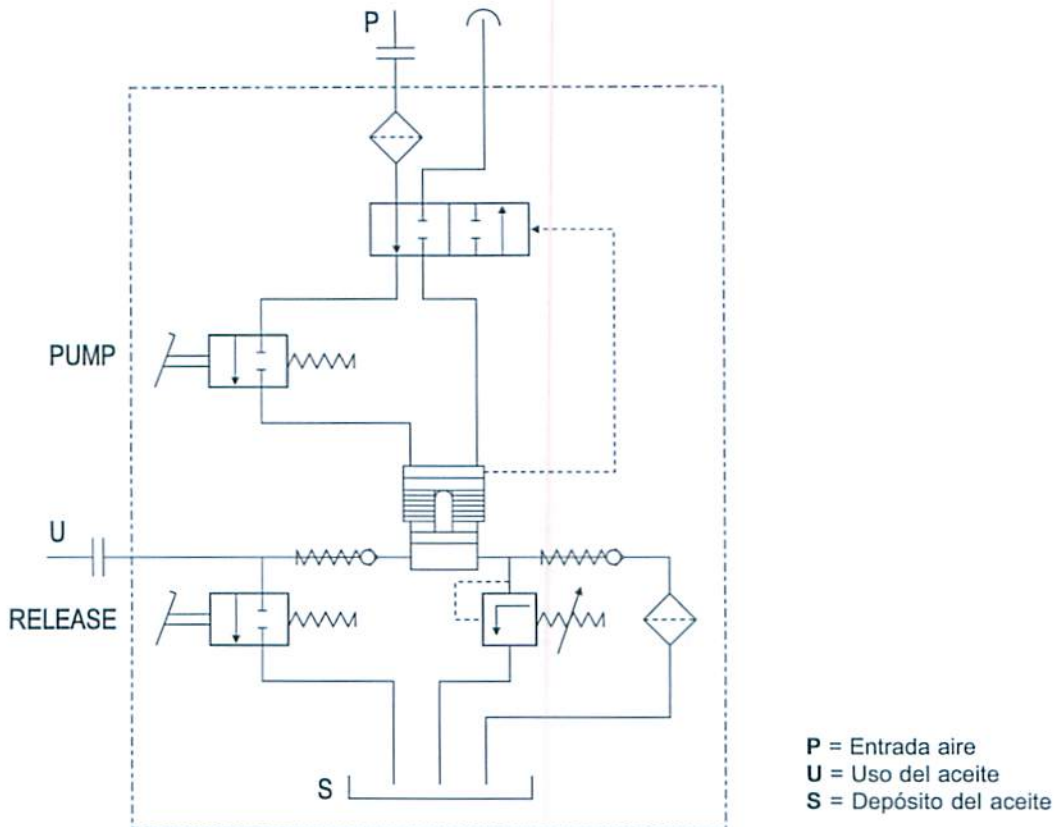
En el apartado siguiente se indican algunas anomalías que pueden advertirse durante el funcionamiento de la bomba y su solución. Si, actuando del modo descrito, no pudiera resolverse dicha situación crítica, consulten al fabricante.

PROBLEMA	POSIBLE CAUSA	SOLUCIÓN
La bomba no se pone en marcha	La línea del aire comprimido está cerrada u obstruida.	Verificar que llegue aire comprimido a la bomba.
La bomba se bloquea bajo carga	Presión del aire demasiado baja. Filtro del aire sucio u obstruido.	Verificar que la presión de alimentación de la bomba (aire comprimido) esté comprendida entre 2,8 y 10 bares. Limpiar o sustituir el filtro del aire.
La bomba funciona pero no manda aceite bajo presión	Pérdida de aceite en la instalación hidráulica general. Pérdida interna de la bomba. Nivel del aceite demasiado bajo.	Verificar la presencia de la pérdida y reparar donde sea necesario. Verificar la pérdida en la bomba y enviarla al fabricante para su reparación. Verificar el nivel del aceite y, si es necesario, rellenar.
La bomba no alcanza la máxima presión	Presión del aire demasiado baja. Válvula interna de seguridad fuera de calibrado. Pérdida de aceite en la instalación hidráulica general.	Verificar que la presión de alimentación de la bomba (aire comprimido) esté comprendida entre 2,8 y 10 bares. Contactar al fabricante. Verificar la presencia de la pérdida y reparar donde sea necesario.
La bomba alcanza la presión pero la carga no se mueve	Carga excesiva. El aceite no circula correctamente.	Disminuir la carga. Verificar que las tuberías estén libres de estrangulamientos y que el cilindro no sea defectuoso.
El pistón se retrae aunque no se presiona el pulsador "RELEASE"	Pérdida de aceite en la instalación hidráulica general. Avería interna de la bomba.	Verificar la presencia de la pérdida y reparar donde sea necesario. Verificar la pérdida en la bomba y contactar al fabricante.
El pistón no retorna (Cilindro de simple efecto)	Línea de alimentación de aceite estrangulada o acoplamiento mal conectado. Si el retorno está previsto por gravedad, posible falta de carga en el cilindro. Muelle del cilindro roto. Válvula de liberación del cilindro no funciona.	Verificar la línea de alimentación de aceite. Cargar el cilindro. Reparar el cilindro. Reparar el cilindro.
El pistón no retorna (Cilindro de doble efecto)	Línea de alimentación de aceite estrangulada o acoplamiento mal conectado. Válvula de liberación del cilindro no funciona.	Verificar la línea de alimentación de aceite. Reparar el cilindro.
Caudal de la bomba insuficiente	Presión del aire demasiado baja. Filtro del aire sucio u obstruido. El depósito no ha sido purgado.	Verificar que la presión de alimentación de la bomba (aire comprimido) esté comprendida entre 2,8 y 10 bares. Limpiar o sustituir el filtro del aire. Purgar el depósito como se describe en el capítulo 5 en pág.16.

8 – DESTRUCCIÓN Y ELIMINACIÓN DE LA BOMBA

En caso de que la bomba deba ser tirada, vaciar el aceite contenido en la misma y eliminarlo siguiendo lo prescrito por la ley vigente en el país en el que se lleve a cabo la eliminación. Actuar del mismo modo con los demás componentes de la bomba, teniendo en cuenta la tipología de los materiales que la constituyen, plásticos o ferrosos.

ESQUEMA DE FUNCIONAMIENTO



GARANTÍA

La bomba posee una garantía que cubre defectos de material y fabricación durante un periodo de 12 (doce) meses, contados a partir de la fecha de entrega.

LIMITACIONES:

- 1) El concesionario deberá ser autorizado por el fabricante antes de actuar sobre la máquina para efectuar reparaciones en garantía.
- 2) La garantía se limitará sólo a las piezas que el fabricante reconozca como defectuosas.
- 3) No será reconocido ningún gasto de transporte para intervenciones en garantía.
- 4) No se reconocerá ninguna garantía para aquellos productos que no hayan recibido un correcto mantenimiento periódico, que hayan sido utilizados de manera inapropiada, que hayan sufrido accidentes, reparaciones no autorizadas o alteraciones de cualquier clase.

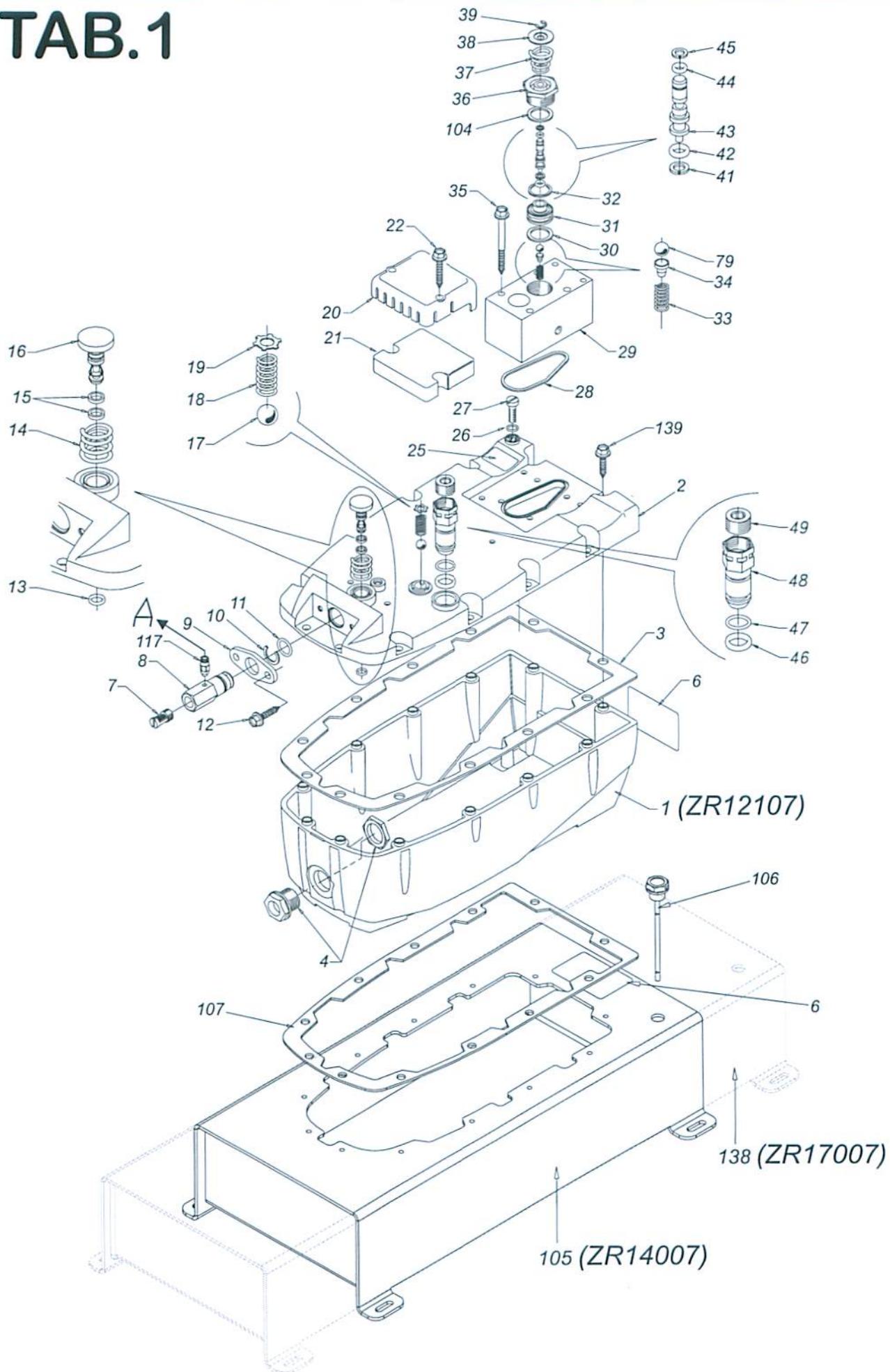
PIEZAS DE REPUESTO

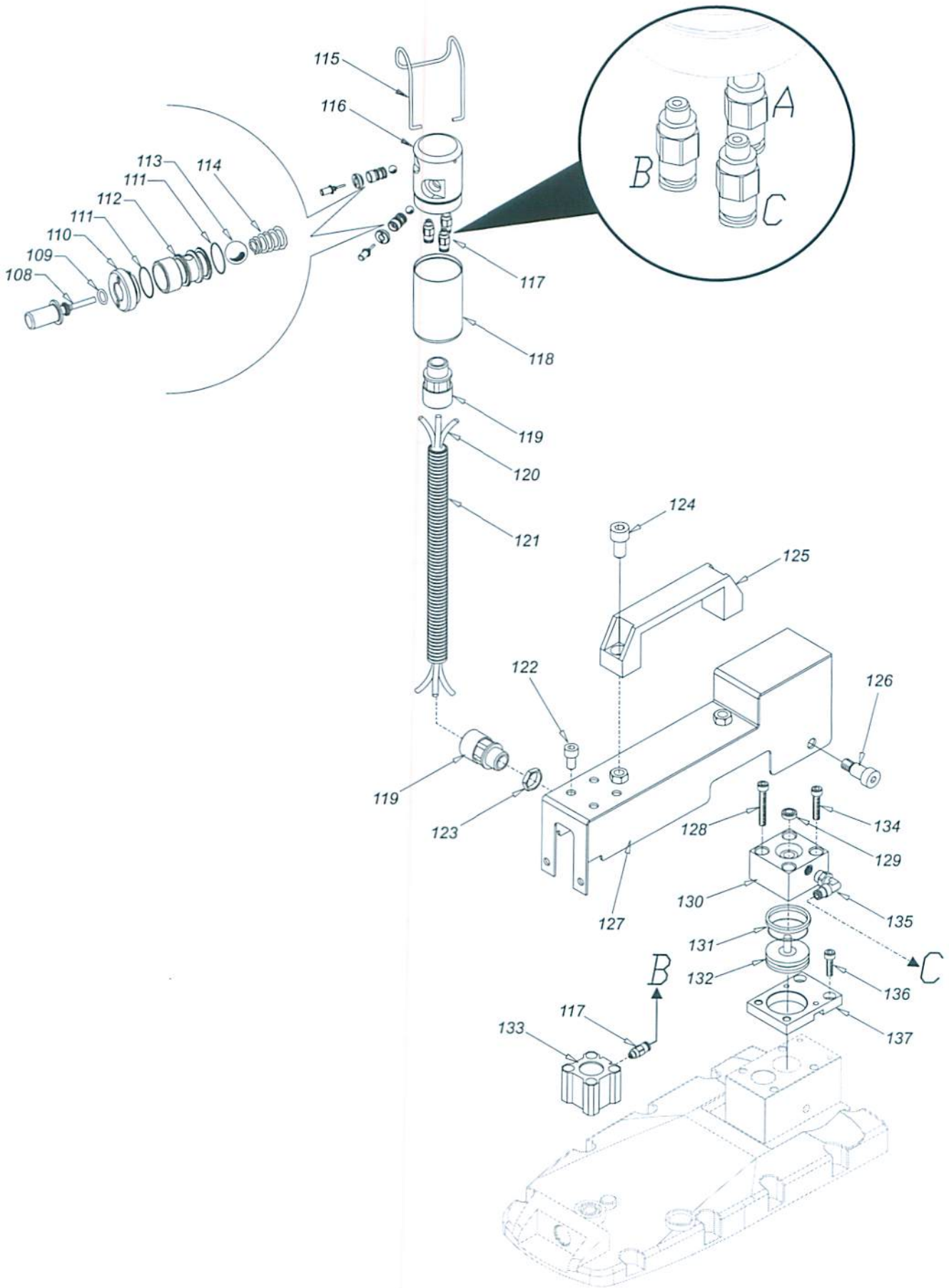
PARA REALIZAR EL PEDIDO DE PIEZAS DE REPUESTO

Cuando realicen el pedido de piezas de repuesto, especifiquen siempre los siguientes puntos:

- 1) Número de código del repuesto
- 2) Descripción de la pieza
- 3) Tipo de bomba
- 4) Número de serie de la bomba

TAB.1

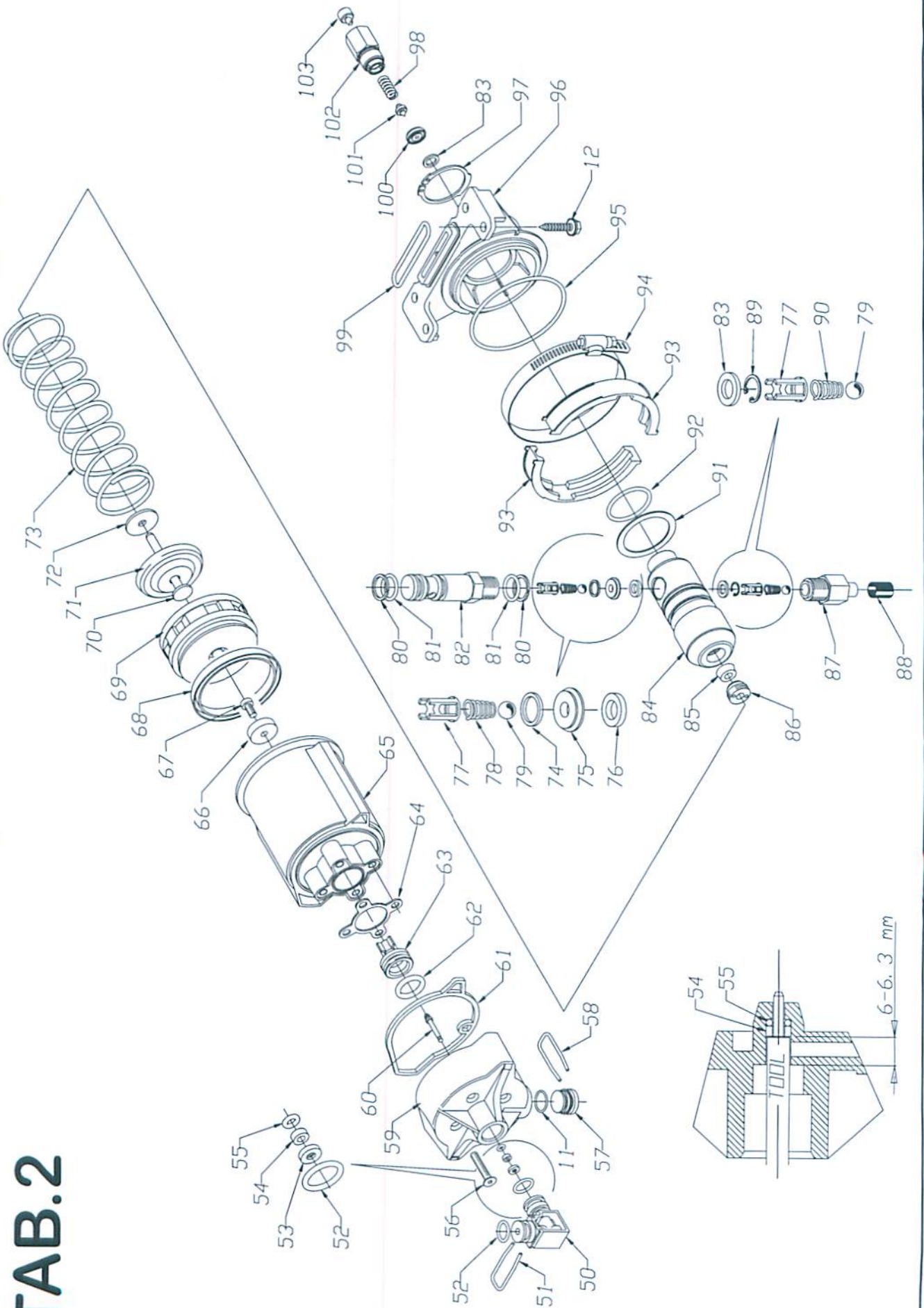




**LIST OF SPARE PARTS - LISTA DE PIEZAS DE REPUESTO
(TAB. 1)**

KEY	COD. Nr.	KEY	COD. Nr.
1	309310031	79	428620042
2	182840011	104	141440010
3	139220110	105	305170010
4	301100020	106	428400011
6	193515051	107	139220116
7	139110010	108	102130030
8	128690041	109	425860004
9	147010010	110	184000070
10	427270140	111	425860028
11	425830021	112	172150050
12	426446355	113	428630060
13	425831074	114	151100061
14	151050300	115	148000010
15	425880020	116	131210010
16	102130090	117	451700050
17	428630070	118	128690080
18	151050320	119	451750010
19	427260040	120	418000015
20	182840020	121	418100010
21	139220120	122	426074250
22	426446385	123	426510400
25	193515053	124	426074099
26	425830011	125	E28560015
27	426321170	126	196020030
28	425830045	127	182310030
29	142100084	128	426074068
30	451435045	129	425670020
31	172150150	130	122000041
32	451435038	131	425382018
33	151050330	132	160900051
34	150060060	133	475010010
35	426446406	134	426078067
36	131050080	135	451700040
37	151100030	136	426074062
38	141500130	137	162000070
39	427180050	138	305170020
41	425784018	139	426446355 ZR12107
42	425830009	139	426451345 ZR14007 - ZR17007
43	102150020		
44	425830007		
45	425784014		
46	425830086		
47	425830024		
48	128690050		
49	426620250		

TAB.2



**LIST OF SPARE PARTS - LISTA DE PIEZAS DE REPUESTO
(TAB. 2)**

KEY	COD. Nr.	KEY	COD. Nr.
11	425830021	78	151100090
12	426446355	79	428620042
50	309040010	80	425784034
51	141070010	81	425837022
52	425880083	82	102040030
53	139200010	83	451435006
54	116010010	84	131050090
55	425830006	85	425000021
56	426116057	86	184000030
57	182050030	87	128510021
58	141070020	88	139000010
59	184000060	89	427160090
60	102170010	90	151100100
61	139200050	91	141500110
62	425121044	92	425830108
63	160900020	93	177000030
64	139220090	94	427102100
65	309000020	95	425830136
66	141480030	96	147130020
67	426310137	97	427150350
68	425620210	98	151050030
69	160900010	99	425000110
70	160900040	100	172150030
71	141500120	101	182260010
72	139220030	102	128630040
73	151050310	103	141400070
74	451430007		
75	172150040		
76	451436006		
77	150050020		

- SEAL KIT : ZR12107 --> 800050070
 ZR14007 --> 800050110
 ZR17007 --> 800050110

LARZEP®

HYDRAULIC

LARZEP S.A.

Avda. Urtiaga, 6. 48269 MALLABIA (Vizcaya). Spain

P.O.Box, 27. 20600 Eibar (Guipúzcoa). Spain

Tel. (+34) 943-171200 - Fax (+34) 943-174166

e-MAIL: comercial@larzep.com

www.larzep.com