

## HIGH TONNAGE AIR JACKS

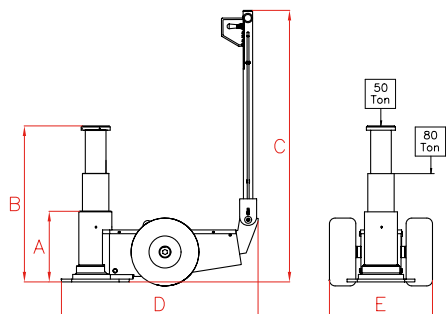
# HL

## 60-150 Tn.

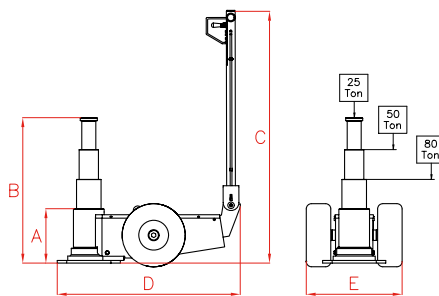
## 8-12 bar

AUTOMOTIVE

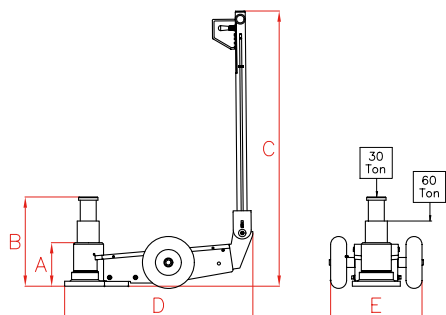
### HL08042



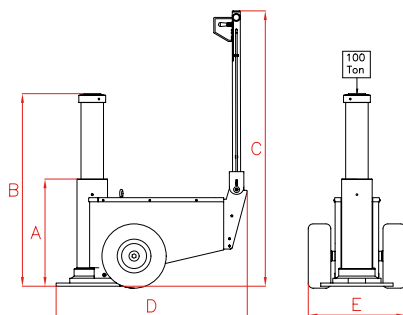
### HL08052



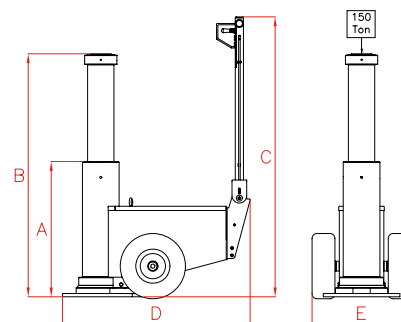
### HL06022



### HL10044



### HL15055



Capacity	Stroke	Model	A	B	C	D	E	Weight
Tn	mm	LARZEP	mm	mm	mm	mm	mm	kg
30/60	110+117	<b>HL06022</b>	220	447	1.385	940	460	93
50/80	196+222	<b>HL08042</b>	420	838	1.440	1.039	540	161
25/50/80	167+171+180	<b>HL08052</b>	341	859	1.440	1.040	540	143
100	445	<b>HL10044</b>	725	1.170	1.720	1.180	610	290
150	554	<b>HL15055</b>	900	1.454	1.720	1.250	620	385



Extensions



Extension Holder

## ACCESORIES (Optional)

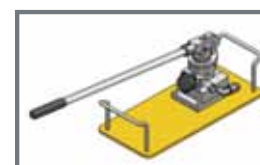
Model	Extension Holder		Extensions						
	Right	Left	10 mm	70 mm	120 mm	150 mm	200 mm	250 mm	300 mm
<b>HL06022</b>	-	-	HLE06001	HLE06007	HLE06012	-	-	-	-
<b>HL08042</b>	HLT080R	HLT080L	-	-	-	HLE08015	-	HLE08025	HLE08030
<b>HL08052</b>	HLT080R	HLT080L	-	-	-	HLE08015	-	HLE08025	HLE08030
<b>HL10044</b>	HLT150R	HLT150L	-	-	-	-	HLE15020	HLE15025	HLE15030
<b>HL15055</b>	HLT150R	HLT150L	-	-	-	-	HLE15020	HLE15025	HLE15030

Model	Safety Blocks				
	50mm M/F	100mm M/F	100mm F/F	Holder	Kit*
<b>HL06022</b>	-	-	-	-	-
<b>HL08042</b>	HLB05017M	HLB10017M	HLB10017F	HLC100	HLS100
<b>HL08052</b>	HLB05017M	HLB10017M	HLB10017F	HLC100	HLS100
<b>HL10044</b>	HLB05017M	HLB10017M	HLB10017F	HLC100	HLS100
<b>HL15055</b>	HLB05021M	HLB10021M	HLB10021F	HLC150	HLS150

Model	Remote Pendant	Manual Pump
<b>All models</b>	HLR	HLH



HLR



HLH

\*Safety blocks kit **HLS100**: HLB05017M + 3xHLB10017M + HLB10017F + HLC100

\*Safety blocks kit **HLS150**: HLB05021M + 4xHLB10021M + HLB10021F + HLC150