

**PORTABLE CRANES**



Type

**DLR**

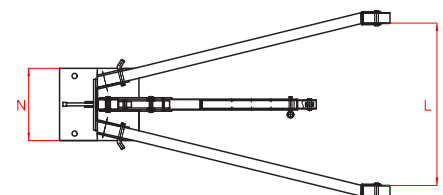
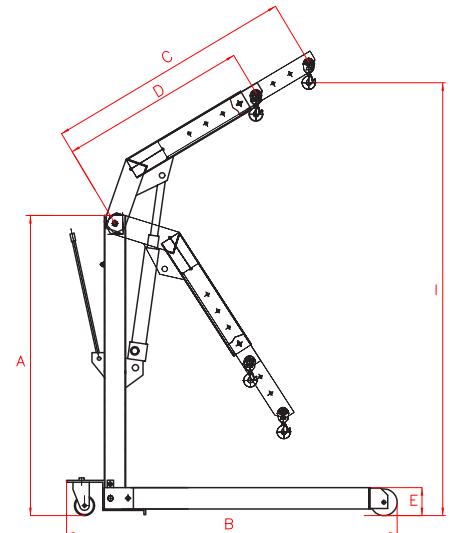
Capacity **650 - 2.000 kg**

Max. pressure **700 bar**

**PORTABLE CRANES**



- ✓ From 650 to 2.000 kg lifting capacity.
- ✓ Polyamide wheels and swivel rear castor for easy movement.
- ✓ Exceptionally versatile due to their compact dimensions when folded up.
- ✓ Fitted with a safety relief valve to prevent overloading.
- ✓ All models are fitted with an extendable jib to increase reach.
- ✓ Special lowering valve in all models for safer and better control of descent.
- ✓ If the knob is released accidentally, the arm stops.



Model	4 / 3 / 2 / 1 Jib position
LARZEP	kg
<b>DLR006</b>	650 - 550 - 450 - 350
<b>DLR010</b>	1.000 - 900 - 800 - 700
<b>DLR020</b>	2.000 - 1.750 - 1.650 - 1.250

Capacity	Model	A	B	C	D	E	I	L	N	Weight
kg	LARZEP	mm	mm	mm	mm	mm	mm	mm	mm	kg
<b>650</b>	<b>DLR006</b>	1.580	1.480	1.300	960	112	2.200	820	530	83
<b>1.000</b>	<b>DLR010</b>	1.580	1.580	1.300	960	112	2.200	970	530	99
<b>2.000</b>	<b>DLR020</b>	1.740	1.920	1.610	1.200	150	2.460	1.080	700	175

**DLR - F AUTOMOTIVE**

