



MAINTENANCE SET “CA0510” “CA1110” “CA2010” BASIC “CA0513” “CA1113” “CA2013” COMPLETE



LARZEP, S.A.
Avenida Urutiaga, 6
48269 MALLABIA, SPAIN
Tel. +34 943 171200
Fax. +34 943 174166
e-mail: sales@larzep.com
www.larzep.com

LARZEP AUSTRALIA PTY. LTD.
139 Wedgewood Road,
HALLAM, VIC. 3803 AUSTRALIA
Tel. +61 (3) 9796 3744
Fax. +61 (3) 9796 5964
e-mail: sales@larzep.com.au
www.larzep.com.au

LARZEP GB LTD.
3 Commerce Way - Leighton Buzzard
BEDS LU7 4RW UNITED KINGDOM
Tel. +44 1525 377819
Fax. +44 1525 851990
e-mail: sales@larzep.co.uk
www.larzep.co.uk

INDEX

1. BEFORE USING THE EQUIPMENT AND SECURITY----- 2
2. TECHNICAL FEATURES AND COMPONENTS----- 2-3-4
3. DECLARATION OF MANUFACTURER----- 5
4. WARRANTY----- 5
ANNEX

❖ **GENERAL DRAWING**

1. BEFORE USING THE EQUIPMENT AND SECURITY.

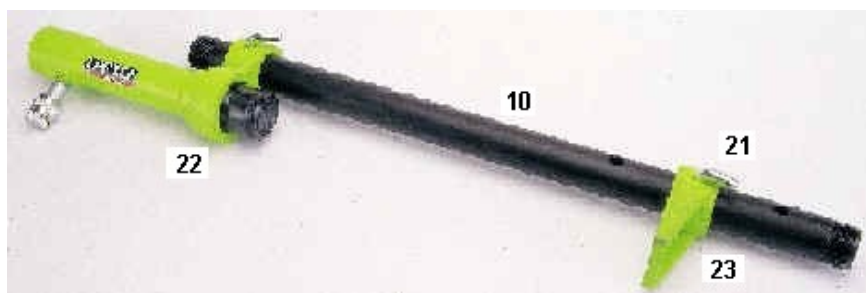
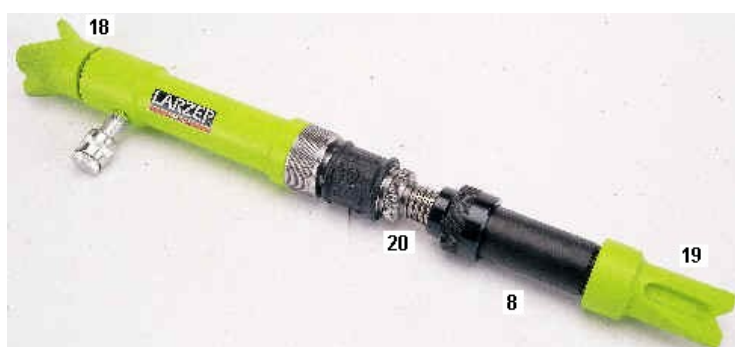
The CA equipment is used for repairing and maintenance operations. Their multiple choices of assembling trough different pieces make this equipment multi-user. All of CA maintenance sets are provided with a KC cylinder, a W pump and AZ20 hose. Choose the best equipment for the utility you need. The pull cylinder is provided under request in all the references. All the equipments are packed in a metallic box. This equipment is supplied with different elements that mixed with the hydraulic tools: pump, cylinder and hoses; allows configuring specific tools for different operations as: pushing, separating, pulling, lifting, shrinking, stretching or fixing. The models have a maximum capacity of push of 5, 10 and 20 ton, and two types: basic and complete. In the complete set it is included a divider clamp and the specific tools to shrink. The cylinder develops the nominal capacity expressed, but it has to be considerer that, with the accessories connected, the equipment must be only used in **50 % of its capacity; i.e., to maximum pressure of 350 bar.**

2. TECHNICAL FEATURES AND COMPONENTS.



| N° | Description | CA0510 | CA0513 | CA1110 | CA1113 | CA2010 | CA2013 |
|----|-----------------------|--------|--------|--------|--------|--------|--------|
| 1 | Box | 1 | 1 | 1 | 1 | 1 | 1 |
| 2 | Pump | 1 | 1 | 1 | 1 | 1 | 1 |
| 3 | Hose | 1 | 1 | 1 | 1 | 1 | 1 |
| 4 | Male quick coupler | 1 | 1 | 1 | 1 | 1 | 1 |
| 5 | Cylinder | 1 | 1 | 1 | 1 | 1 | 1 |
| 7 | Stretching tube | 1 | 1 | 1 | 1 | - | - |
| 8 | Stretching tube | 1 | 1 | 1 | 1 | 1 | 1 |
| 9 | Stretching tube | 1 | 1 | 1 | 1 | 1 | 1 |
| 10 | Stretching tube | 1 | 1 | 1 | 1 | 1 | 1 |
| 11 | Cylinder collar | 1 | 1 | 1 | 1 | 1 | 1 |
| 12 | Piston collar | 1 | 1 | 1 | 1 | - | - |
| 13 | Fixing nut | 3 | 3 | 3 | 3 | 3 | 3 |
| 14 | Coupling sleeve | 1 | 1 | 1 | 1 | 1 | 1 |
| 15 | Head | 1 | 1 | 1 | 1 | 2 | 2 |
| 16 | Elastic head | 2 | 2 | 2 | 2 | - | - |
| 17 | Flat base | 1 | 1 | 1 | 1 | - | - |
| 18 | V-Base 90° | 1 | 1 | 1 | 1 | - | - |
| 19 | Wedge head | 1 | 1 | 1 | 1 | - | - |
| 20 | Adjustable elongation | 1 | 1 | 1 | 1 | - | - |
| 21 | Pin | 2 | 2 | 2 | 2 | - | - |
| 22 | Fixed Clamp | 1 | 1 | 1 | 1 | - | - |
| 23 | Sliding clamp | 1 | 1 | 1 | 1 | - | - |
| 24 | Spread Cylinder | - | 1 | - | 1 | - | 1 |
| 25 | Chain with hook | - | 1 | - | 1 | - | 1 |
| 26 | Support of the chain | - | 1 | - | 1 | - | 1 |
| 27 | Chain plate | - | 1 | - | 1 | - | 1 |
| 28 | Base | - | - | - | - | 2 | 2 |
| 29 | Pull cylinder | op | op | op | op | op | op |





3. DECLARATION OF MANUFACTURER.

LARZEP, S.A. located in Avda. Urtiaga 6, 48269 Mallabia (Vizcaya); declares that the maintenance sets are not a machine itself. Therefore, it will not be complete or safe, except in the cases that is assembled with the set of indicated accessories; as pump, cylinder and hose that corresponds by dimensions and force of work.

The components described in the chapter of technical features of this manual, are assembled by LARZEP, S.A., this equipment can't be put in use until it reunites the conditions necessary to be described as a complete and safe machine that it fulfils the requirements of the normative CE. In case that it is fulfilled, it will be able to take the noticeable CE.

Nevertheless, LARZEP, S.A. works in agreement to our standards of quality and under the control those norm ISO 9001 forces.

Signature:

D. Juan Carlos Bustos

Quality Manager.

4. WARRANTY.

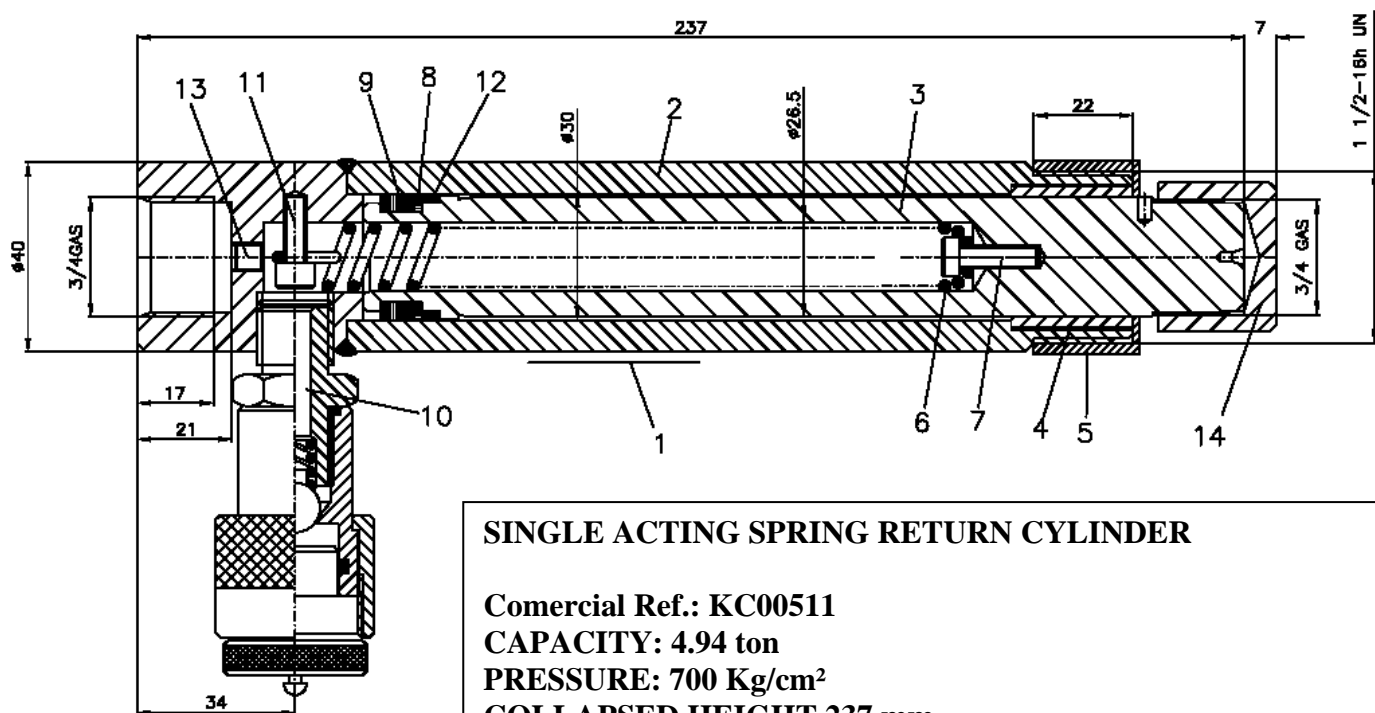
LARZEP, S.A. guarantees its products against all design and manufacturing defects for the durations of two years from the date of purchase. This guarantee does not include the ordinary wear of both metal and non-metal parts, abuse, using the equipment beyond its rated capacity and any wear or damage incurred as a result of using a hydraulic fluid which is not recommended by **LARZEP, S.A.**

Please note that if the equipment is disassembled or serviced by anyone other than an authorized service dealer or by **LARZEP, S.A.**, this guarantee is rendered null and void.

In the event of a warranty claim, return the equipment, to **LARZEP, S.A.** or the authorized dealer which sold you the hydraulic equipment, **LARZEP, S.A.** will repair or replace the faulty equipment, whichever is deemed most appropriate. **LARZEP, S.A.** shall not be held liable for any consequential damages or losses, which may occur as a result of faulty equipment

MODELS: CA0510 Y CA0513

CYLINDER



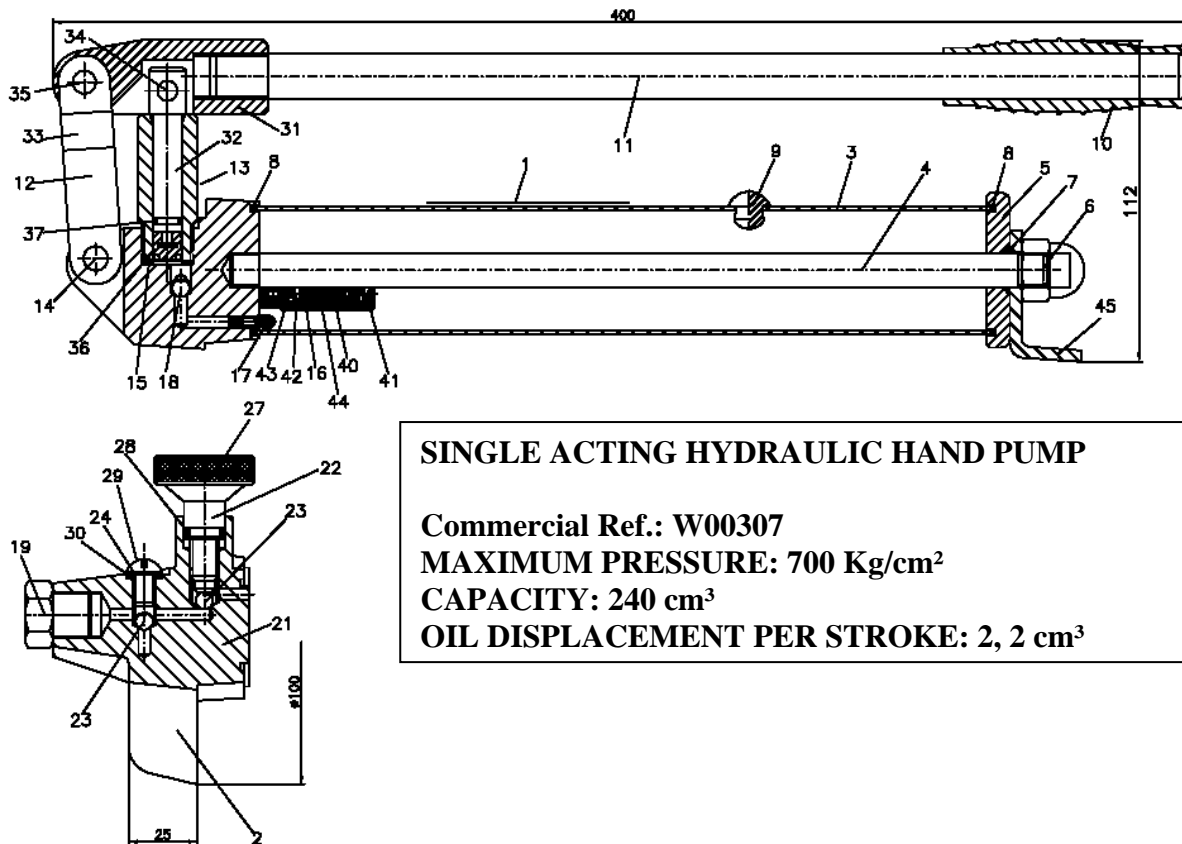
SINGLE ACTING SPRING RETURN CYLINDER

Comercial Ref.: KC00511
CAPACITY: 4.94 ton
PRESSURE: 700 Kg/cm²
COLLAPSED HEIGHT 237 mm

| N | DESCRIPTION | CODE | N° Pieces |
|----|-------------------------|----------|-----------|
| 1 | LABEL | 30 A0016 | 1 |
| 2 | BODY | 52H0001 | 1 |
| 3 | PISTON | 53H0001 | 1 |
| 4 | GUIDE | 55E0051 | 1 |
| 5 | PROTECTOR | 12L0001 | 1 |
| 6 | SPRING | 13 A0002 | 1 |
| 7 | SCREW | 14 A0003 | 1 |
| 8 | SEGMENT | 57 A0186 | 1 |
| 9 | COLLAR Ø22xØ30x4.4 | 12B0217 | 1 |
| 10 | LOW FLOW FEMALE COUPLER | AZ3240 | 1 |
| 11 | SCREW | 14 A0002 | 1 |
| 12 | BRONZED | 58 A0285 | 1 |
| 13 | PLUG 1/6 NPT | 14F0006 | 1 |
| 14 | DENTED KNOB | 56H0001 | |

MODELS: CA0510, CA0513

PUMP



SINGLE ACTING HYDRAULIC HAND PUMP

Commercial Ref.: W00307

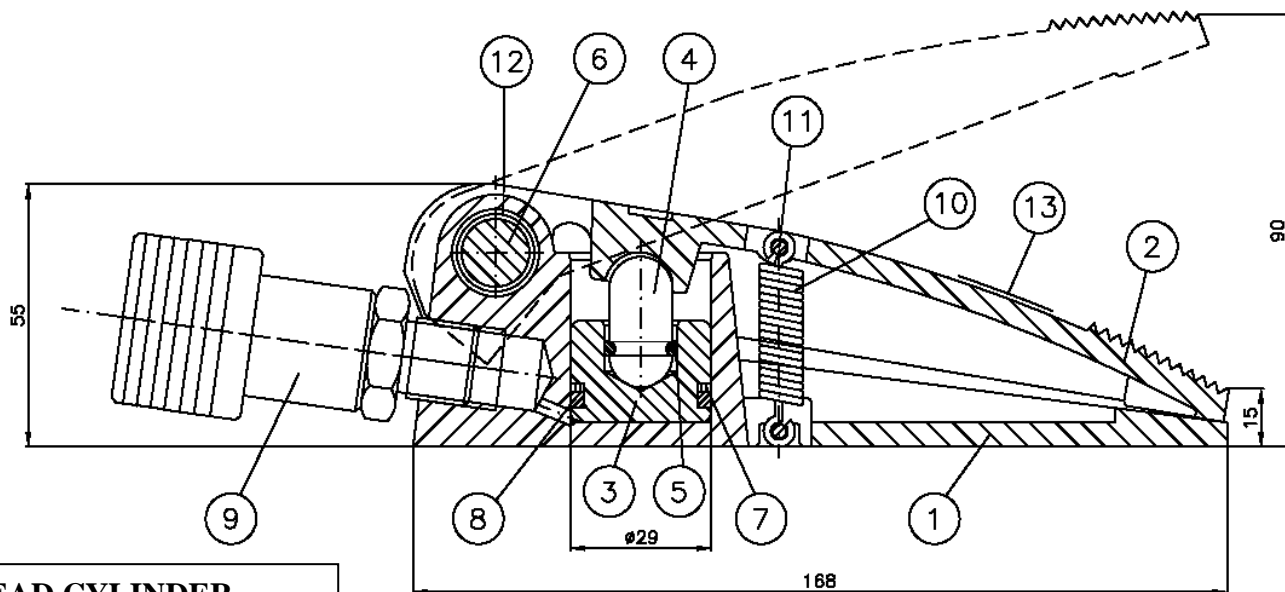
MAXIMUM PRESSURE: 700 Kg/cm²

CAPACITY: 240 cm³

OIL DISPLACEMENT PER STROKE: 2, 2 cm³

| N | DESCRIPTION | CODE | N° Pieces |
|----|--------------------------|----------|-----------|
| 1 | LABEL | 30 A0017 | 1 |
| 2 | BASE SUBSET | 50k0051 | 1 |
| 3 | TANK | 51B0017 | 1 |
| 4 | TANK SHAFT | 15I0273 | 1 |
| 5 | TANK LID | 15L0095 | 1 |
| 6 | NUT M12 | 14B0004 | 1 |
| 7 | O-RING AN9 | 12 A0048 | 1 |
| 8 | SEALING RING OF THE TANK | 57F0015 | 2 |
| 9 | OIL PLUG | 12C0026 | 1 |
| 10 | HANDLE | 24C0004 | 1 |
| 11 | LEVER | 24 A0005 | 1 |
| 12 | LOAD INJECTOR | 24J0030 | 1 |
| 13 | SLEEVE | 15D0002 | 1 |
| 14 | RIVETING | 15 A0014 | 1 |
| 15 | WASHER | 27 A0004 | 1 |
| 16 | VALVE | 17C0002 | 1 |
| 17 | FILTER | 13F0001 | 1 |
| 18 | BALL Ø6 | 31 A0001 | 1 |
| 19 | PLUG | AZ1182 | 1 |
| 20 | CASE | 21D0017 | 1 |
| 36 | PISTON CAP | 12J0001 | 1 |
| 37 | PISTON SEAL Ø6.75x1.78 | 12 A0272 | 1 |
| 45 | TANK LEG | 24L0037 | 1 |

MODELS: CA0513, CA0510, CA1113, CA1110
SPREAD CYLINDERS



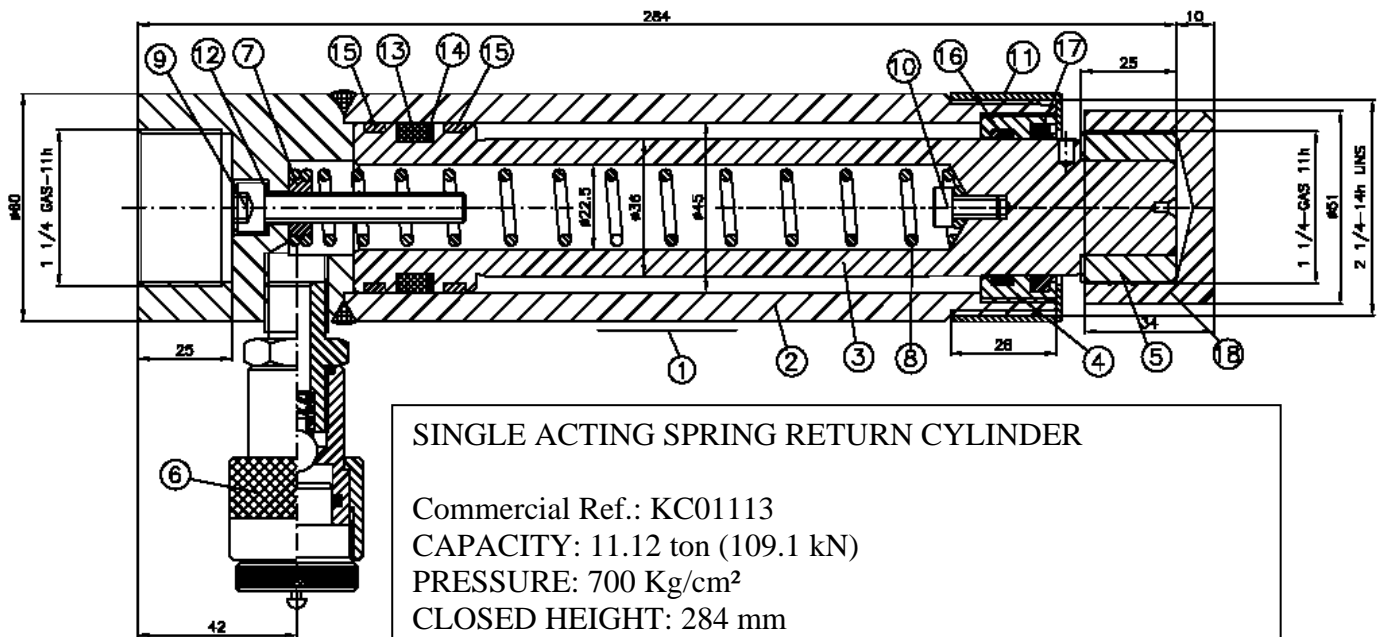
SPREAD CYLINDER

Commercial Ref.: CY0109
CAPACITY: 1 ton (9.81 kN)
STROKE: 15mm
AREA: 6.6 cm²
OIL VOLUME: 10 cm³
WEIGHT: 2 Kg

| N | DESCRIPTION | CODE | N Pieces |
|-----|---------------------|---------|----------|
| 1 | BASE | 50H0004 | 1 |
| 2 | JAW | 24L0006 | 1 |
| 3 | PISTON | 53I0001 | 1 |
| 4 | SADDLE | 56P0001 | 1 |
| * 5 | O-RING Ø9.19x2. 62 | 12A0047 | 1 |
| 6 | SHAFT | 15I0026 | 1 |
| * 7 | SEGMENT | 57A0077 | 1 |
| * 8 | O-RING Ø 21.82x3.53 | 12A0090 | 1 |
| 9 | COUPLER | AZ3240 | 1 |
| 10 | SPRING | 13A0031 | 1 |
| 11 | PIN | 15I0027 | 2 |
| 12 | COLLAR | 14D0005 | 1 |
| 13 | LABEL | 30A018 | 1 |

* SPARE PART LIST

MODELS: CA1110 Y CA1113
CYLINDER



SINGLE ACTING SPRING RETURN CYLINDER

Commercial Ref.: KC01113
CAPACITY: 11.12 ton (109.1 kN)
PRESSURE: 700 Kg/cm²
CLOSED HEIGHT: 284 mm
STROKE: 133 mm
AREA: 15.9 cm²
OIL VOLUME: 214.7 cm³

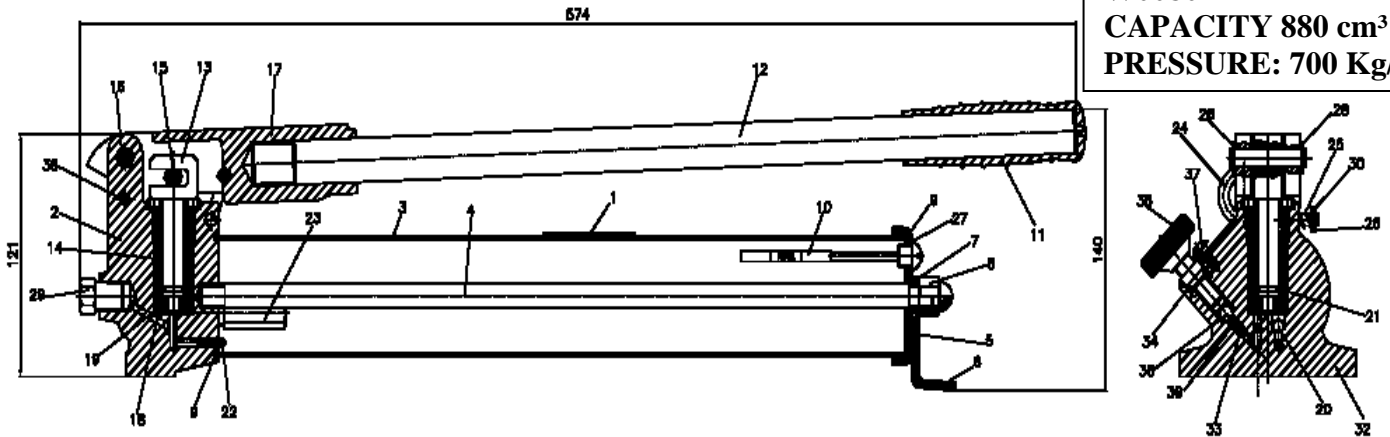
| N | DESCRIPTION | CODE | N Pieces |
|------|------------------------------|---------|----------|
| 1 | LABEL | 30A0017 | 1 |
| 2 | BODY | 52H0007 | 1 |
| 3 | PISTON | 53H0012 | 1 |
| 4 | GUIDE | 55E0054 | 1 |
| 5 | SADDLE | 56H0008 | 1 |
| 6 | LOW FLOW FEMALE COUPLER | AZ3240 | 1 |
| 7 | SPRING TIE | 24F0071 | 1 |
| 8 | SPRING | 13A0139 | 1 |
| 9 | ALLEN SCREW M8x55 ALL THREAD | 14A0117 | 1 |
| 10 | ALLEN SCREW M6x10 | 14A0004 | 1 |
| 11 | THREAD PROTECTOR | 12L0002 | 1 |
| 12 | CUPPER WASHER | 57B0005 | 1 |
| * 13 | COLLAR Ø45x Ø 35x7.3 | 12B0199 | 1 |
| * 14 | SEGMENT | 57A0052 | 1 |
| * 15 | GUIDE COLLAR Ø45x Ø 40x5.6 | 58F0136 | 2 |
| * 16 | GUIDE COLLAR Ø36x Ø41x5.6 | 58F0123 | 1 |
| * 17 | SCRAPER Ø36x Ø44x6 | 12H0063 | 1 |
| 18 | DENTED KNOB | 56H0003 | 1 |

* SPARE PART LIST

MODELS: CA1110, CA1113, CA2010 Y CA2013.
PUMP

SINGLE ACTING HAND PUMP

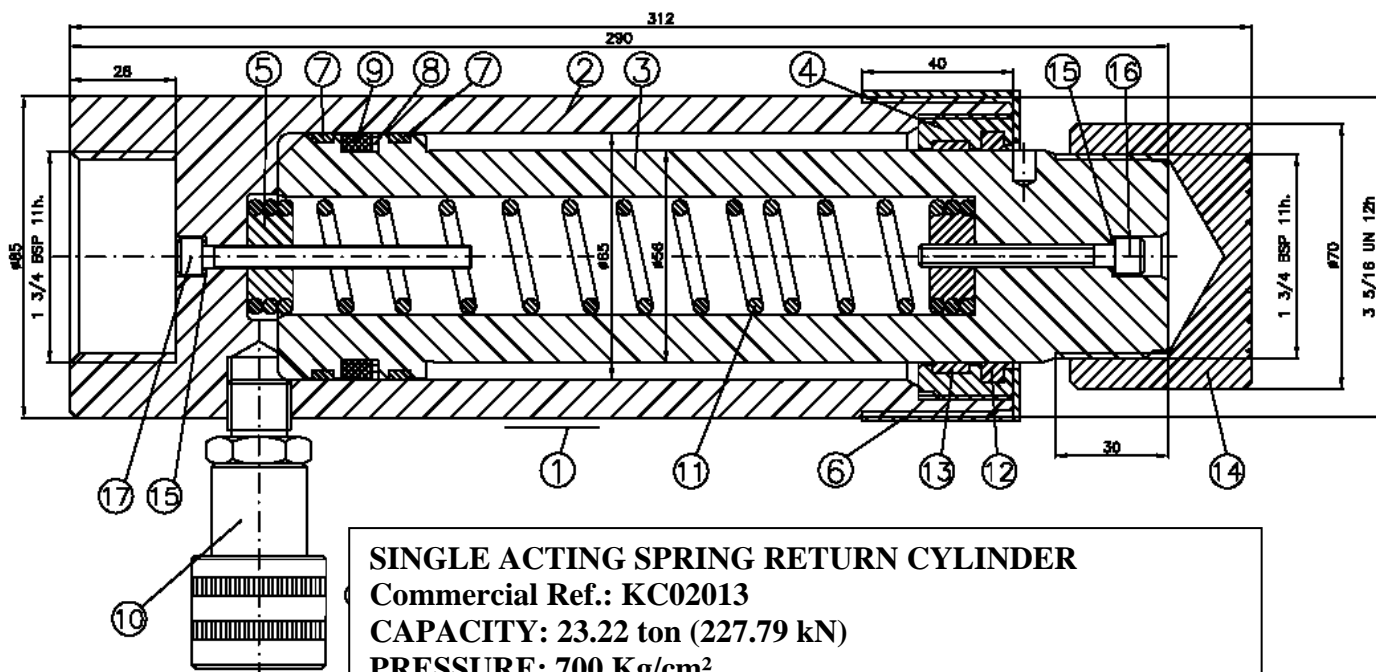
Commercial Ref.:
W00807
CAPACITY 880 cm³
PRESSURE: 700 Kg/cm²



| N | DESCRIPTION | CODE | N Pcs | N | DESCRIPTION | CODE | N Pcs |
|-----|-------------------|---------|-------|--|------------------------------------|---------|-------|
| 1 | LABEL | 30A0023 | 1 | *21 | O-RING AN7 | 12A0051 | 1 |
| 2 | BASE SUBSET | 50K0038 | 1 | 22 | FILTER | 13F0001 | 1 |
| 3 | TANK | 51B0042 | 1 | 23 | 750 Kg/cm ² RATED VALVE | 17C0003 | 1 |
| 4 | TANK SHAFT | 15I0003 | 1 | 24 | TRANSPORT SHAFT | 15I0159 | 1 |
| 5 | TANK LID | 32A0013 | 1 | 25 | SPRING | 13D0003 | 1 |
| 6 | TANK LEG | 24L0015 | 1 | 26 | RETENTION WASHER | 14D0042 | 1 |
| 7 | ANSI O-RING | 12A0048 | 1 | 27 | O-RING | 12A0051 | 1 |
| 8 | CAP NUT | 14B0004 | 1 | 28 | SECURITY WASHER | 14D0001 | 2 |
| 9 | CLOSING COLLAR | 57F0016 | 2 | 29 | PLUG | 15L0003 | 1 |
| 10 | LEVEL PLUG SUBSET | 15L0116 | 1 | 30 | WASHER FOR M6 | 14C0004 | 1 |
| 11 | HANDGRIP | 24C0006 | 1 | 31 | BOARD BOX | 21D0019 | 1 |
| 12 | LEVER | 24A0007 | 1 | BASE SUBSET (PART2) SPARE PART LIST | | | |
| 13 | PISTON | 54C0004 | 1 | 32 | BASE | 50K0032 | 1 |
| 14 | CASE | 15D0023 | 1 | 33 | BALL Ø4 | 31A0002 | 1 |
| 15 | SHAFT | 15I0007 | 1 | 34 | O-RING AN8 | 12A0047 | 1 |
| 16 | SHAFT | 15I0008 | 1 | 35 | DRIVE SCREW | 15H0008 | 1 |
| 17 | LEVER HANDLE | 24B0026 | 1 | 36 | PIN | 14E0002 | 1 |
| 18 | JOINT WASHER | 57B0011 | 1 | 37 | STOP SCREW | 15L0022 | 1 |
| *19 | PISTON CUP | 12J0004 | 1 | 38 | BALL Ø6 | 31A0001 | 1 |
| *20 | BALL Ø6 | 31A0001 | 1 | 39 | SPRING RETURN | 13D0138 | 1 |

* SPARE PART LIST

MODELS: CA2010 Y CA2013
CYLINDER



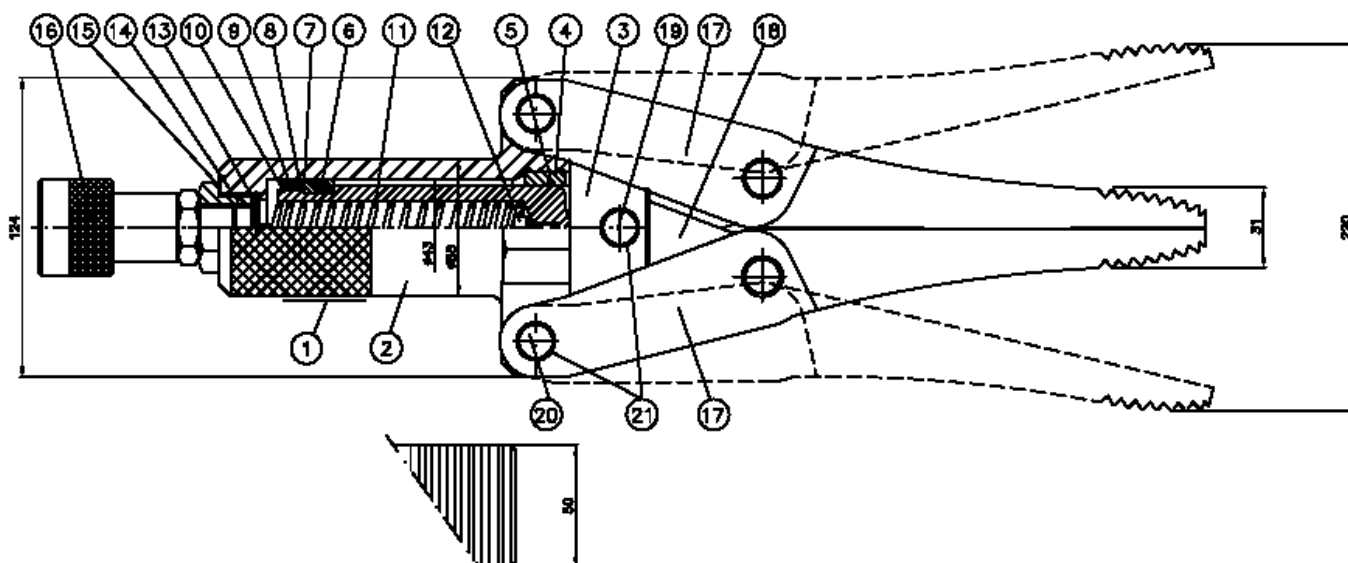
SINGLE ACTING SPRING RETURN CYLINDER

Commercial Ref.: KC02013
CAPACITY: 23.22 ton (227.79 kN)
PRESSURE: 700 Kg/cm²
CLOSED HEIGHT: 290 mm
STROKE: 130 mm
AREA: 33.18 cm³
OIL VOLUME: 431.37 cm³

| N | DESCRIPTION | CODE | N Pieces |
|------|-----------------------------|---------|----------|
| 1 | LABEL | 30A0017 | 1 |
| 2 | BODY | 52E0186 | 1 |
| 3 | PISTON | 53H0011 | 1 |
| 4 | GUIDE | 55E0092 | 1 |
| 5 | SPRING TIE | 24F0087 | 2 |
| 6 | PROTECTOR | 12L0003 | 1 |
| * 7 | GUIDING COLLAR Ø60x Ø60x5.6 | 58F0112 | 2 |
| * 8 | SEGMENT | 57A0019 | 1 |
| * 9 | COLLAR | 12B0094 | 1 |
| 10 | HIGH FLOW FEMALE COUPLER | AZ3240 | 1 |
| 11 | SPRING | 13A0220 | 1 |
| * 12 | SCRAPER ø56xø66x6 | 12H0071 | 1 |
| * 13 | GUIDING COLLAR ø56xø61x9.7 | 58F0135 | 1 |
| 14 | DENTED KNOB | 56H0005 | 1 |
| 15 | CUPPER WAASHER | 57B0001 | 2 |
| 16 | ALLEN SCREW M6x50 | 14A0171 | 1 |
| 17 | ALLEN SCREW M6x70 | 14A0125 | 1 |

* SPARE PART LIST

MODELS: CA2010 Y CA2013
SPREAD CYLINDERS



SPREAD CYLINDER

Commercial Ref.: CY00822
CAPACITY: 0.8 ton (7.848 kN)
PRESSURE: 550 Kg/cm²
CLOSED HEIGHT: 31 mm
WEIGHT: 7 Kg
STROKE: 53 mm

| N | DESCRIPTION | CODE | N Pieces |
|----|--------------------|---------|----------|
| 1 | LABEL | 30A0018 | 1 |
| 2 | BODY | 52I0001 | 1 |
| 3 | PISTON | 53I0002 | 1 |
| 4 | GUIDE | 55I0001 | 1 |
| 5 | O-RING Ø37.82x1.78 | 12A0091 | 1 |
| 6 | SECTOR COLLAR | 58A0029 | 2 |
| 7 | WASHER | 57D0001 | 1 |
| 8 | SEGMENT | 57A0078 | 1 |
| 9 | COLLAR Ø30x42x10 | 12B0029 | 1 |
| 10 | COLLAR | 14D0006 | 1 |
| 11 | SPRING | 13A0032 | 1 |
| 12 | SCREW | 14A0004 | 1 |
| 13 | PIN | 14E0012 | 1 |
| 14 | NUT | 15J0009 | 1 |
| 15 | CUPPER WASHER | 57B0010 | 1 |
| 16 | COUPLER | AZ3240 | 1 |
| 17 | JAWS | 24L0007 | 2 |
| 18 | TIES | 24F0008 | 2 |
| 19 | PIN | 15I0028 | 1 |
| 20 | PIN | 15I0029 | 4 |
| 21 | ELASTIC RING | 14D0007 | 10 |